



### Table of Contents

AGB 01 ..... TYPICAL SHEATHING AND FASTENER APPLICATION

AGB 02 ..... TYPICAL TERMINATION AT FOUNDATION

AGB 03A ..... TYPICAL ROUGH OPENING OPTION A

AGB 03B ..... TYPICAL ROUGH OPENING OPTION B

AGB 04 ..... TYPICAL WINDOW PAN AND HEAD FLASHING

AGB 05 ..... TYPICAL VERTICAL EXPANSION JOINTS

AGB 06 ..... TYPICAL PIPE PENETRATION

AGB 07 ..... TYPICAL PARAPET WITH METAL CAP

AGB 08 ..... TYPICAL CORNER DETAILS

AGB 09 ..... TYPICAL SADDLE DETAIL

AGB 10 ..... TYPICAL FLOOR LINES

AGB 11 ..... MASONRY ANCHORS

AGB 12 ..... ROOF/WALL KICK-OUT FLASHING

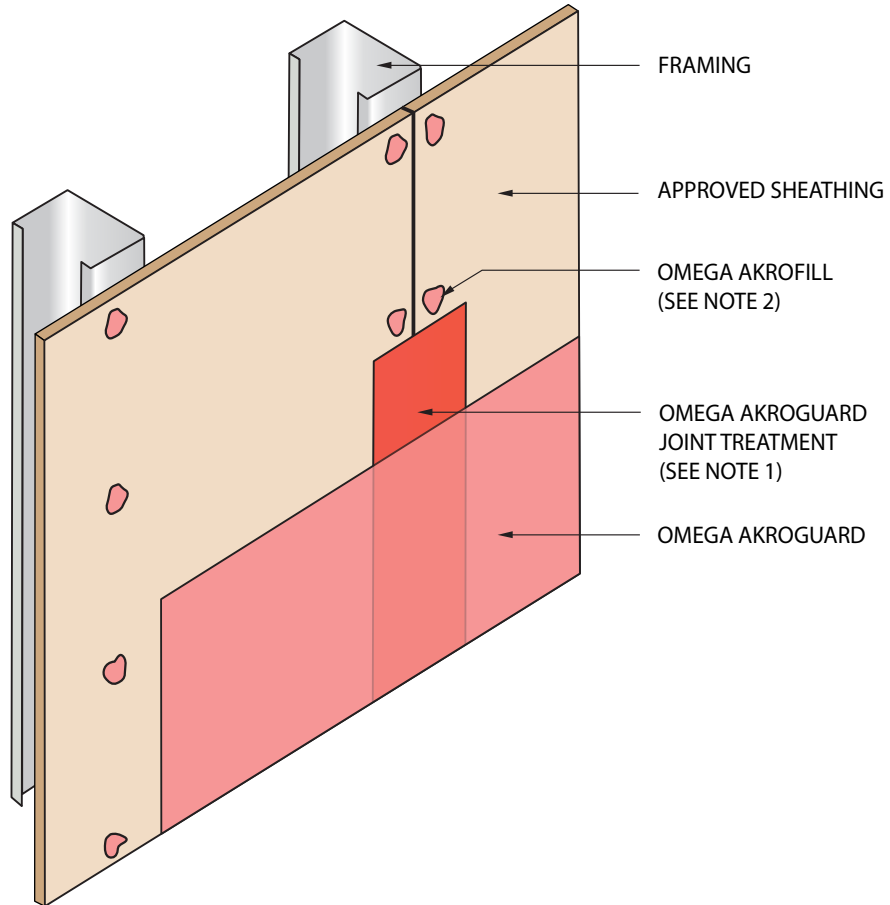
AGB 13 ..... TYPICAL NAIL FLANGE WINDOW

#### DISCLAIMER

Omega Products International [Manufacturer] MAKES NO WARRANTY OF MERCHANTABILITY OR FITNESS FOR A PARTICULAR PURPOSE WITH RESPECT TO THE PRODUCT(S) SOLD HEREIN. The recommendations, suggestions, statements and technical data are based on the best knowledge available to Manufacturer and are given for informational purposes ONLY and without any responsibility for their use. It is expressly understood and agreed, as a condition of the use of this product, that the buyer's sole and exclusive remedy for any claimed defective product against Manufacturer shall be the replacement of products actually proven to be defective. Handling and use of the products are beyond the control of Manufacturer; therefore, no warranty is made, expressed or implied, as to the results obtained from the use of the product or against any claims for infringement of patents resulting from use of the product. Under no circumstance shall Manufacturer be liable for incidental or consequential damages arising out of the use or the improper application of the product. Before applying the product, the user shall determine the suitability of the product for his/her independent use, assuming all risks and liability whatsoever in connection therewith. This writing constitutes a complete and exclusive statement of the understanding between Manufacturer and Buyer.

**NOTES:**

1. AkroGuard joint treatments options:
  - AkroFill with Reinforcing Mesh
  - AkroGuard with AkroGuard Fabric
2. Spot fastener heads and surface defects with Omega AkroGuard or AkroFill.
3. For joints greater than 1/8" wide, use a low-expanding urethane spray foam, trimmed flush with the sheathing surface.



**GENERAL NOTES:**

- Prior to application, refer to current AkroGuard data sheets, specifications, and other literature for detailed installation requirements.
- A bond breaker, such as building paper, must be used over the AkroGuard when claddings such as stucco and adhered stone veneer will be applied.
- Products not identified as Omega are typically provided by other manufacturers and may not be installed by the contractors that install Omega products.

THE ARCHITECTURE, ENGINEERING, AND DESIGN OF THE PROJECT USING OMEGA PRODUCTS IS THE RESPONSIBILITY OF THE PROJECT'S DESIGN PROFESSIONAL. ALL SYSTEMS MUST COMPLY WITH LOCAL BUILDING CODES AND STANDARDS. THIS DETAIL IS FOR GENERAL INFORMATION AND GUIDANCE ONLY, AND OMEGA INC. SPECIFICALLY DISCLAIMS ANY LIABILITY FOR THE USE OF THIS DETAIL AND FOR THE ARCHITECTURE, DESIGN, ENGINEERING, OR WORKMANSHIP OF ANY PROJECT. THE PROJECT DESIGN PROFESSIONAL DETERMINES, IN ITS SOLE DISCRETION, WHETHER THIS DETAIL OR A FUNCTIONALLY EQUIVALENT ALTERNATIVE IS BEST SUITED FOR THE PROJECT. USE OF A FUNCTIONALLY EQUIVALENT DETAIL DOES NOT VIOLATE OMEGA'S WARRANTY. THIS DETAIL IS SUBJECT TO CHANGE WITHOUT NOTICE. CONTACT OMEGA TO INSURE YOU HAVE THE MOST RECENT VERSION.



CORPORATE OFFICE  
1681 CALIFORNIA AVE. CORONA, CA 92881  
INFO@OMEGA-PRODUCTS.COM  
OMEGA-PRODUCTS.COM  
© 2013 OMEGA PRODUCTS INTERNATIONAL  
ALL RIGHTS RESERVED.

# AKROGUARD WATER-RESISTIVE AIR BARRIER

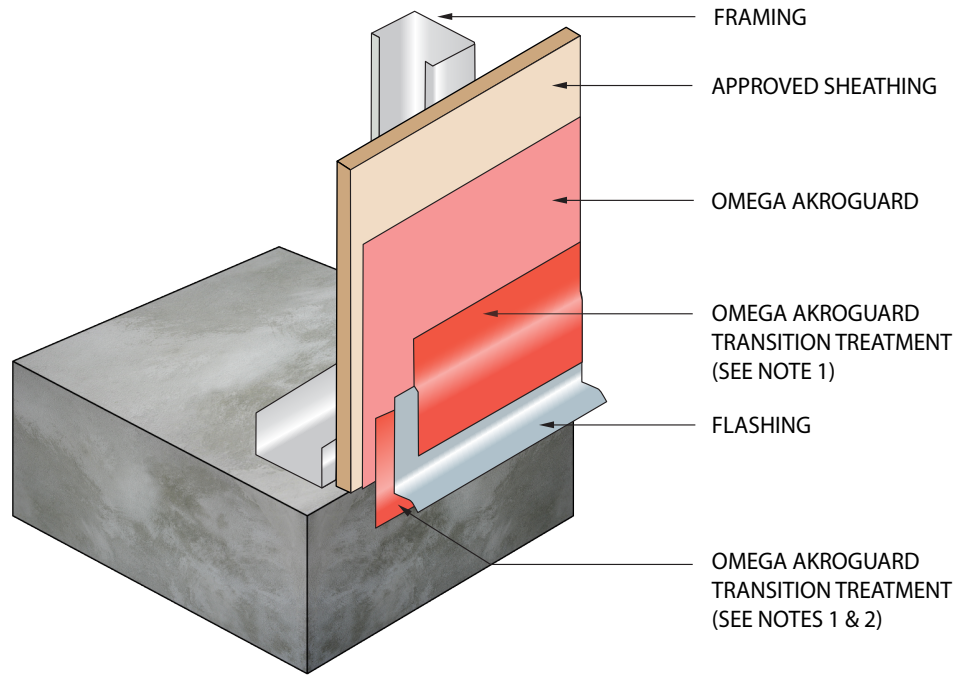
## TYPICAL SHEATHING AND FASTENER APPLICATION

DRAWING NO.: AGB 01.00

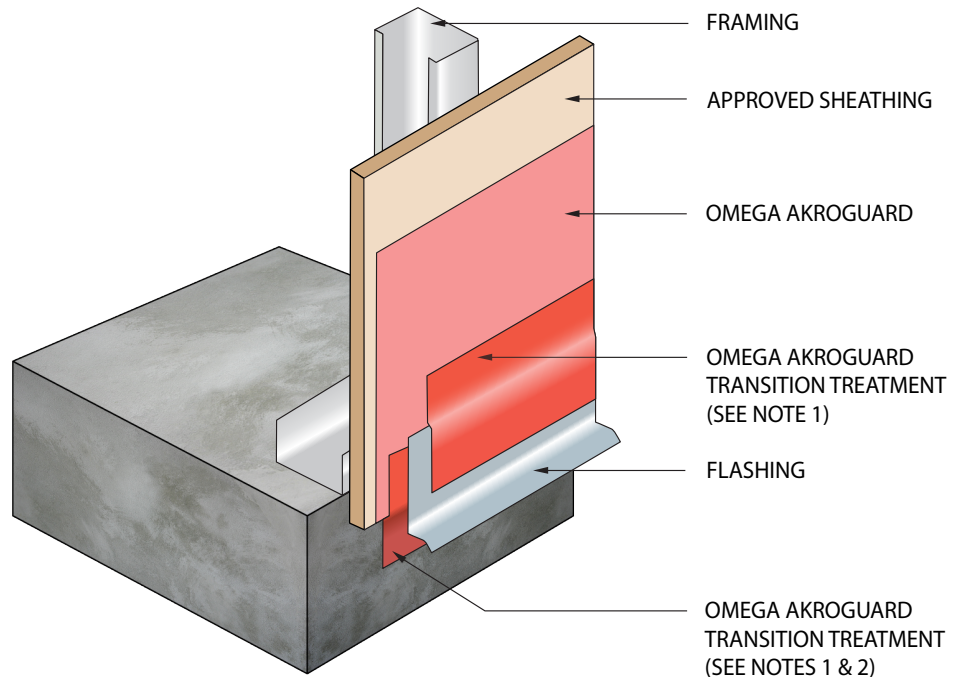
DRAWN: MAY 2024

**NOTES:**

1. AkroGuard transition treatments options:
  - AkroFill with Reinforcing Mesh
  - AkroGuard with AkroGuard Fabric
  - Approved Self-Adhered Flashing
2. Cover exposed AkroGuard transition treatment with a coating.



**OPTION A: FLUSH WITH FOUNDATION**



**OPTION B: SHEATHING OVERLAPPING FOUNDATION**

**GENERAL NOTES:**

- Prior to application, refer to current AkroGuard data sheets, specifications, and other literature for detailed installation requirements.
- A bond breaker, such as building paper, must be used over the AkroGuard when claddings such as stucco and adhered stone veneer will be applied.
- Products not identified as Omega are typically provided by other manufacturers and may not be installed by the contractors that install Omega products.

THE ARCHITECTURE, ENGINEERING, AND DESIGN OF THE PROJECT USING OMEGA PRODUCTS IS THE RESPONSIBILITY OF THE PROJECT'S DESIGN PROFESSIONAL. ALL SYSTEMS MUST COMPLY WITH LOCAL BUILDING CODES AND STANDARDS. THIS DETAIL IS FOR GENERAL INFORMATION AND GUIDANCE ONLY, AND OMEGA INC. SPECIFICALLY DISCLAIMS ANY LIABILITY FOR THE USE OF THIS DETAIL AND FOR THE ARCHITECTURE, DESIGN, ENGINEERING, OR WORKMANSHIP OF ANY PROJECT. THE PROJECT DESIGN PROFESSIONAL DETERMINES, IN ITS SOLE DISCRETION, WHETHER THIS DETAIL OR A FUNCTIONALLY EQUIVALENT ALTERNATIVE IS BEST SUITED FOR THE PROJECT. USE OF A FUNCTIONALLY EQUIVALENT DETAIL DOES NOT VIOLATE OMEGA'S WARRANTY. THIS DETAIL IS SUBJECT TO CHANGE WITHOUT NOTICE. CONTACT OMEGA TO INSURE YOU HAVE THE MOST RECENT VERSION.



CORPORATE OFFICE  
 1681 CALIFORNIA AVE. CORONA, CA 92881  
 INFO@OMEGA-PRODUCTS.COM  
 OMEGA-PRODUCTS.COM  
 © 2013 OMEGA PRODUCTS INTERNATIONAL  
 ALL RIGHTS RESERVED.

**AKROGUARD WATER-RESISTIVE  
 AIR BARRIER**

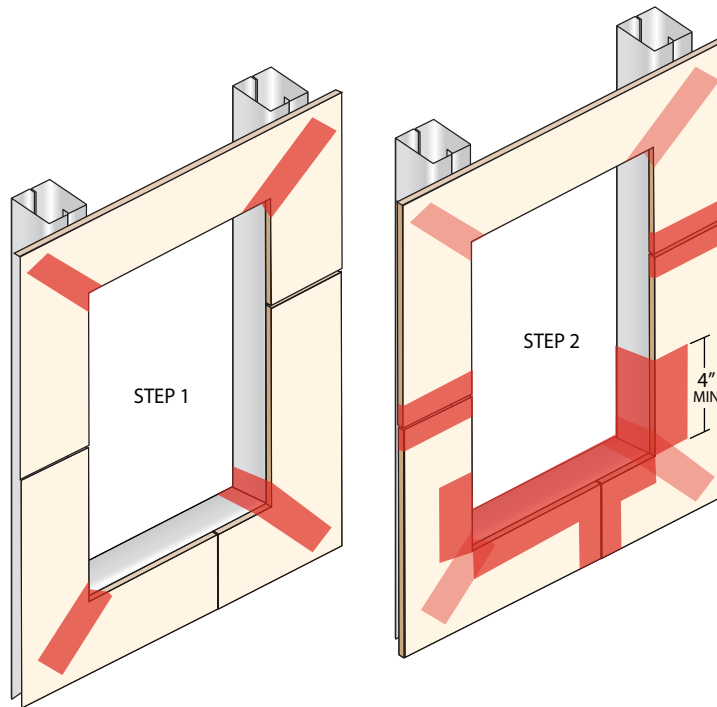
**TYPICAL TERMINATION AT  
 FOUNDATION**

DRAWING NO.: AGB 02.00

DRAWN: APRIL 2013

**NOTES:**

1. AkroGuard transition treatments:
  - AkroFill with Reinforcing Mesh
  - AkroGuard with AkroGuard Fabric
  - Approved Self-Adhered flashing
2. Sill must have a slope to the exterior to provide a positive means of drainage.
3. Prepare rough opening prior to window installation.



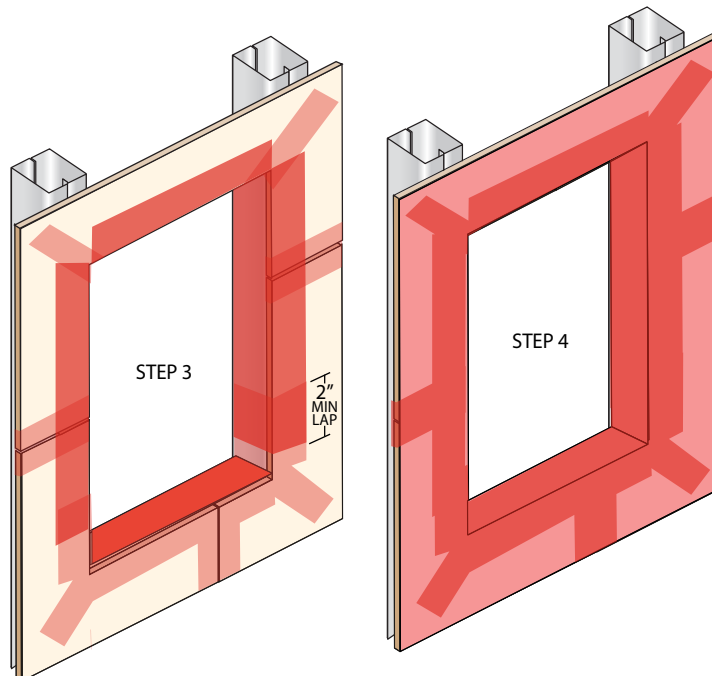
**STEP 1:** INSTALL A MIN 2" STRIP OF OMEGA TRANSITION TREATMENT EMBEDDED AT WINDOW CORNERS

**STEP 2A:** INSTALL A MIN 2" STRIP OF OMEGA TRANSITION TREATMENT EMBEDDED AT WINDOW CORNERS AT SHEATHING JOINTS

**STEP 2B:** INSTALL A MIN 9" STRIP OF OMEGA TRANSITION TREATMENT EMBEDDED ALONG SILL RETURNING A MIN OF 4" ALONG JAMS

**GENERAL NOTES:**

- Prior to application, refer to current AkroGuard data sheets, specifications, and other literature for detailed installation requirements.
- A bond breaker, such as building paper, must be used over the AkroGuard when claddings such as stucco and adhered stone veneer will be applied.
- Products not identified as Omega are typically provided by other manufacturers and may not be installed by the contractors that install Omega products.



**STEP 3A:** INSTALL A MIN 9" STRIP OF OMEGA TRANSITION TREATMENT EMBEDDED ALONG JAMBS, LAPPING A MIN OF 2" OVER SILL TREATMENT

**STEP 3B:** INSTALL A MIN 9" STRIP OF OMEGA TRANSITION TREATMENT EMBEDDED ALONG HEAD

**STEP 4:** APPLY AKROGUARD OVER ROUGH OPENING TREATMENTS AND SHEATHING

THE ARCHITECTURE, ENGINEERING, AND DESIGN OF THE PROJECT USING OMEGA PRODUCTS IS THE RESPONSIBILITY OF THE PROJECT'S DESIGN PROFESSIONAL. ALL SYSTEMS MUST COMPLY WITH LOCAL BUILDING CODES AND STANDARDS. THIS DETAIL IS FOR GENERAL INFORMATION AND GUIDANCE ONLY, AND OMEGA INC. SPECIFICALLY DISCLAIMS ANY LIABILITY FOR THE USE OF THIS DETAIL AND FOR THE ARCHITECTURE, DESIGN, ENGINEERING, OR WORKMANSHIP OF ANY PROJECT. THE PROJECT DESIGN PROFESSIONAL DETERMINES, IN ITS SOLE DISCRETION, WHETHER THIS DETAIL OR A FUNCTIONALLY EQUIVALENT ALTERNATIVE IS BEST SUITED FOR THE PROJECT. USE OF A FUNCTIONALLY EQUIVALENT DETAIL DOES NOT VIOLATE OMEGA'S WARRANTY. THIS DETAIL IS SUBJECT TO CHANGE WITHOUT NOTICE. CONTACT OMEGA TO INSURE YOU HAVE THE MOST RECENT VERSION.



CORPORATE OFFICE  
 1681 CALIFORNIA AVE. CORONA, CA 92881  
 INFO@OMEGA-PRODUCTS.COM  
 OMEGA-PRODUCTS.COM  
 © 2013 OMEGA PRODUCTS INTERNATIONAL  
 ALL RIGHTS RESERVED.

**AKROGUARD WATER-RESISTIVE AIR BARRIER**

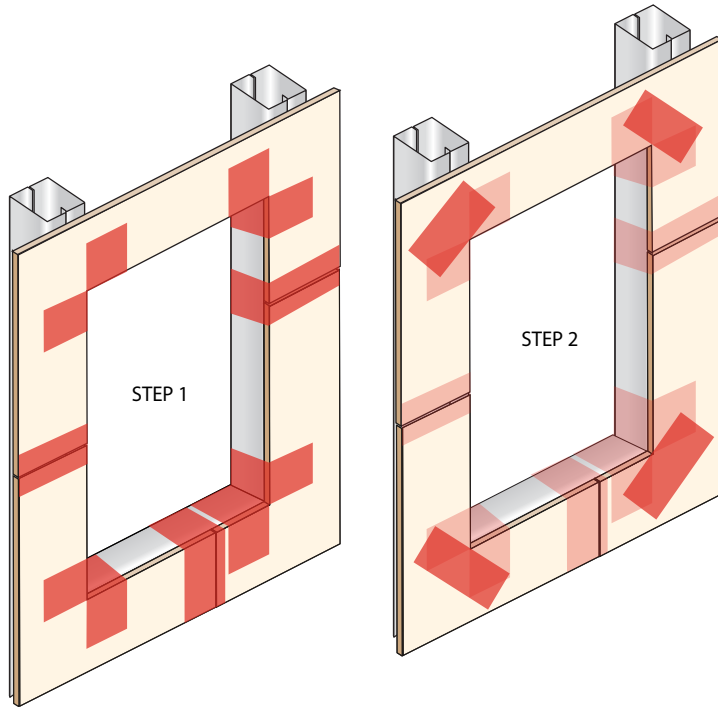
TYPICAL ROUGH-OPENING USING OMEGA TRANSITION TREATMENTS OPTION A

DRAWING NO.: AGB 03.00A

DRAWN: APRIL 2013

**NOTES:**

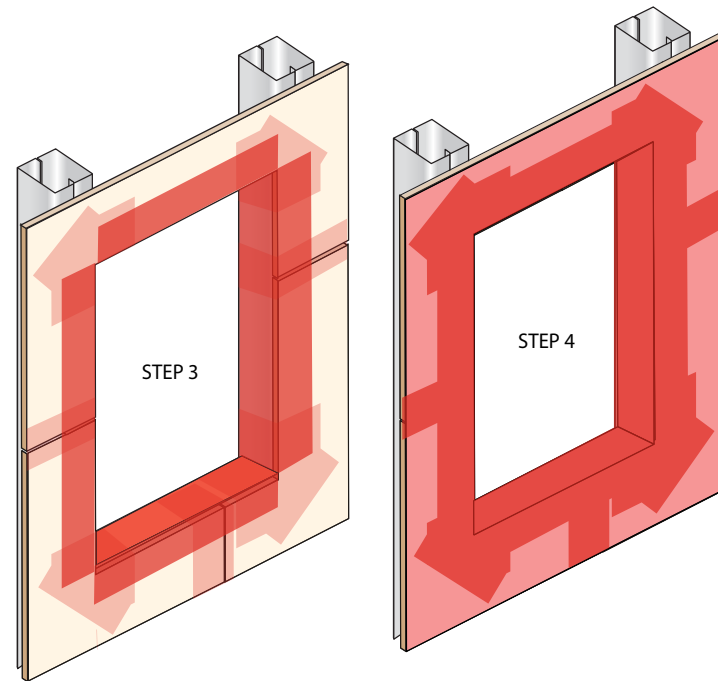
1. AkroGuard transition treatments:
  - AkroFill with Reinforcing Mesh
  - AkroGuard with AkroGuard Fabric
2. Sill must have a slope to the exterior to provide a positive means of drainage.
3. Prepare rough opening prior to window installation.



**STEP 1:** INSTALL A MIN 9" STRIP OF OMEGA TRANSITION TREATMENT EMBEDDED AT WINDOW CORNERS, RETURNING A MIN OF 4" ALONG SIDES

**STEP 2A:** INSTALL A MIN 4" STRIPS OF OMEGA TRANSITION TREATMENT EMBEDDED AT SHEATHING JOINTS

**STEP 2B:** INSTALL A MIN 4" STRIPS OF OMEGA TRANSITION TREATMENT DIAGONALLY ACROSS TREATED CORNERS



**STEP 3:** INSTALL A MIN 9" STRIP OF OMEGA TRANSITION TREATMENT EMBEDDED ALONG JAMBS, HEAD, AND SILL; LAPPING A MIN OF 2" OVER CORNER TREATMENTS

**STEP 4:** APPLY AKROGUARD OVER ROUGH OPENING TREATMENTS AND SHEATHING

**GENERAL NOTES:**

- Prior to application, refer to current AkroGuard data sheets, specifications, and other literature for detailed installation requirements.
- A bond breaker, such as building paper, must be used over the AkroGuard when claddings such as stucco and adhered stone veneer will be applied.
- Products not identified as Omega are typically provided by other manufacturers and may not be installed by the contractors that install Omega products.

THE ARCHITECTURE, ENGINEERING, AND DESIGN OF THE PROJECT USING OMEGA PRODUCTS IS THE RESPONSIBILITY OF THE PROJECT'S DESIGN PROFESSIONAL. ALL SYSTEMS MUST COMPLY WITH LOCAL BUILDING CODES AND STANDARDS. THIS DETAIL IS FOR GENERAL INFORMATION AND GUIDANCE ONLY, AND OMEGA INC. SPECIFICALLY DISCLAIMS ANY LIABILITY FOR THE USE OF THIS DETAIL AND FOR THE ARCHITECTURE, DESIGN, ENGINEERING, OR WORKMANSHIP OF ANY PROJECT. THE PROJECT DESIGN PROFESSIONAL DETERMINES, IN ITS SOLE DISCRETION, WHETHER THIS DETAIL OR A FUNCTIONALLY EQUIVALENT ALTERNATIVE IS BEST SUITED FOR THE PROJECT. USE OF A FUNCTIONALLY EQUIVALENT DETAIL DOES NOT VIOLATE OMEGA'S WARRANTY. THIS DETAIL IS SUBJECT TO CHANGE WITHOUT NOTICE. CONTACT OMEGA TO INSURE YOU HAVE THE MOST RECENT VERSION.



CORPORATE OFFICE  
 1681 CALIFORNIA AVE. CORONA, CA 92881  
 INFO@OMEGA-PRODUCTS.COM  
 OMEGA-PRODUCTS.COM  
 © 2013 OMEGA PRODUCTS INTERNATIONAL  
 ALL RIGHTS RESERVED.

**AKROGUARD WATER-RESISTIVE AIR BARRIER**

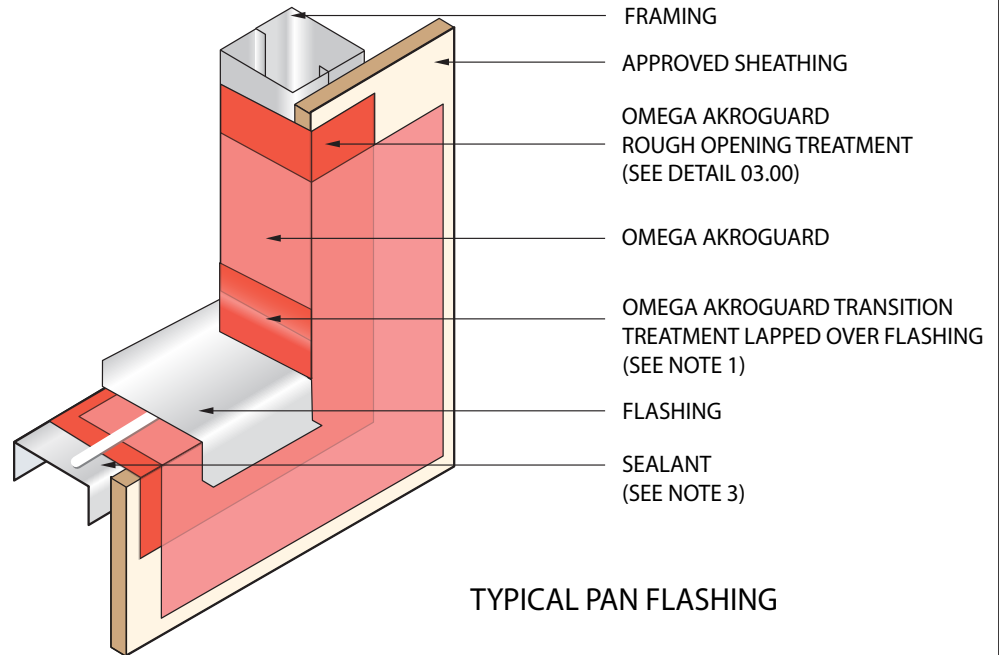
TYPICAL ROUGH-OPENING USING OMEGA TRANSITION TREATMENTS OPTION B

DRAWING NO.: AGB 03.00B

DRAWN: APRIL 2013

**NOTES:**

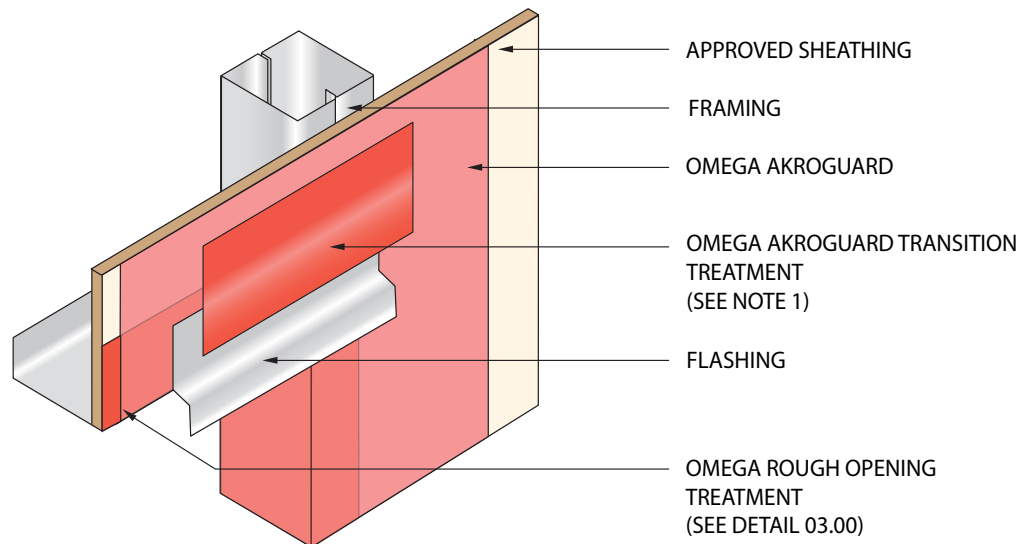
1. AkroGuard transition treatment options:
  - AkroFill with Reinforcing Mesh
  - AkroGuard with AkroGuard Fabric
  - Approved Self-adhered Flashing
2. Pan flashing should be sloped to the exterior to have positive drainage and should have end and side dams.
3. Install pan flashing in wet sealant to create a continuous air barrier under flashing.



**GENERAL NOTES:**

- Prior to application, refer to current AkroGuard data sheets, specifications, and other literature for detailed installation requirements.
- A bond breaker, such as building paper, must be used over the AkroGuard when claddings such as stucco and adhered stone veneer will be applied.

Products not identified as Omega are typically provided by other manufacturers and may not be installed by the contractors that install Omega products.



THE ARCHITECTURE, ENGINEERING, AND DESIGN OF THE PROJECT USING OMEGA PRODUCTS IS THE RESPONSIBILITY OF THE PROJECT'S DESIGN PROFESSIONAL. ALL SYSTEMS MUST COMPLY WITH LOCAL BUILDING CODES AND STANDARDS. THIS DETAIL IS FOR GENERAL INFORMATION AND GUIDANCE ONLY, AND OMEGA INC. SPECIFICALLY DISCLAIMS ANY LIABILITY FOR THE USE OF THIS DETAIL AND FOR THE ARCHITECTURE, DESIGN, ENGINEERING, OR WORKMANSHIP OF ANY PROJECT. THE PROJECT DESIGN PROFESSIONAL DETERMINES, IN ITS SOLE DISCRETION, WHETHER THIS DETAIL OR A FUNCTIONALLY EQUIVALENT ALTERNATIVE IS BEST SUITED FOR THE PROJECT. USE OF A FUNCTIONALLY EQUIVALENT DETAIL DOES NOT VIOLATE OMEGA'S WARRANTY. THIS DETAIL IS SUBJECT TO CHANGE WITHOUT NOTICE. CONTACT OMEGA TO INSURE YOU HAVE THE MOST RECENT VERSION.



CORPORATE OFFICE  
 1681 CALIFORNIA AVE. CORONA, CA 92881  
 INFO@OMEGA-PRODUCTS.COM  
 OMEGA-PRODUCTS.COM  
 © 2013 OMEGA PRODUCTS INTERNATIONAL  
 ALL RIGHTS RESERVED.

**AKROGUARD WATER-RESISTIVE AIR BARRIER**

**TYPICAL WINDOW PAN AND HEAD FLASHING**

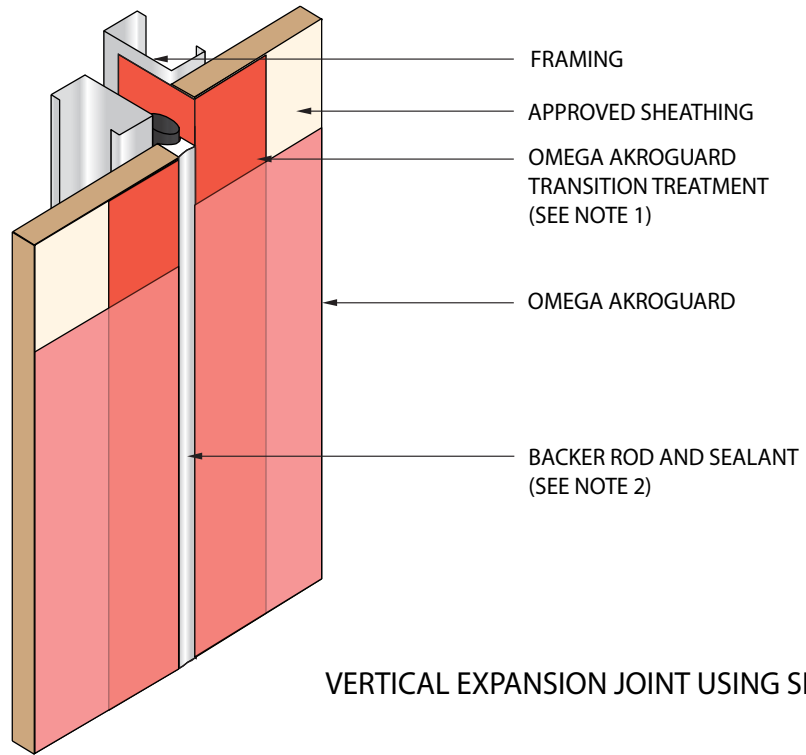
DRAWING NO.: AGB 04.00

DRAWN: APRIL 2013



**NOTES:**

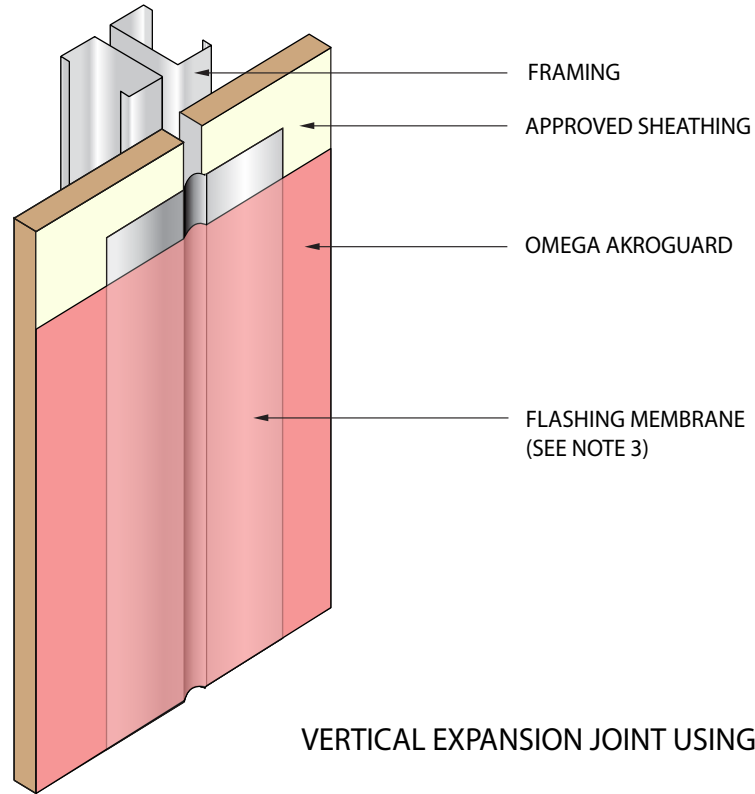
1. AkroGuard transition treatment options:
  - AkroFill with Reinforcing Mesh
  - AkroGuard with AkroGuard Fabric
2. Expansion joint must be designed to accommodate anticipated movement. Contact sealant manufacturer for recommendations.
3. Allow sufficient slack in membrane to accommodate movement in the expansion joint.



**GENERAL NOTES:**

- Prior to application, refer to current AkroGuard data sheets, specifications, and other literature for detailed installation requirements.
- A bond breaker, such as building paper, must be used over the AkroGuard when claddings such as stucco and adhered stone veneer will be applied.

Products not identified as Omega are typically provided by other manufacturers and may not be installed by the contractors that install Omega products.



THE ARCHITECTURE, ENGINEERING, AND DESIGN OF THE PROJECT USING OMEGA PRODUCTS IS THE RESPONSIBILITY OF THE PROJECT'S DESIGN PROFESSIONAL. ALL SYSTEMS MUST COMPLY WITH LOCAL BUILDING CODES AND STANDARDS. THIS DETAIL IS FOR GENERAL INFORMATION AND GUIDANCE ONLY, AND OMEGA INC. SPECIFICALLY DISCLAIMS ANY LIABILITY FOR THE USE OF THIS DETAIL AND FOR THE ARCHITECTURE, DESIGN, ENGINEERING, OR WORKMANSHIP OF ANY PROJECT. THE PROJECT DESIGN PROFESSIONAL DETERMINES, IN ITS SOLE DISCRETION, WHETHER THIS DETAIL OR A FUNCTIONALLY EQUIVALENT ALTERNATIVE IS BEST SUITED FOR THE PROJECT. USE OF A FUNCTIONALLY EQUIVALENT DETAIL DOES NOT VIOLATE OMEGA'S WARRANTY. THIS DETAIL IS SUBJECT TO CHANGE WITHOUT NOTICE. CONTACT OMEGA TO INSURE YOU HAVE THE MOST RECENT VERSION.



CORPORATE OFFICE  
 1681 CALIFORNIA AVE. CORONA, CA 92881  
 INFO@OMEGA-PRODUCTS.COM  
 OMEGA-PRODUCTS.COM  
 © 2013 OMEGA PRODUCTS INTERNATIONAL  
 ALL RIGHTS RESERVED.

**AKROGUARD WATER-RESISTIVE  
 AIR BARRIER**

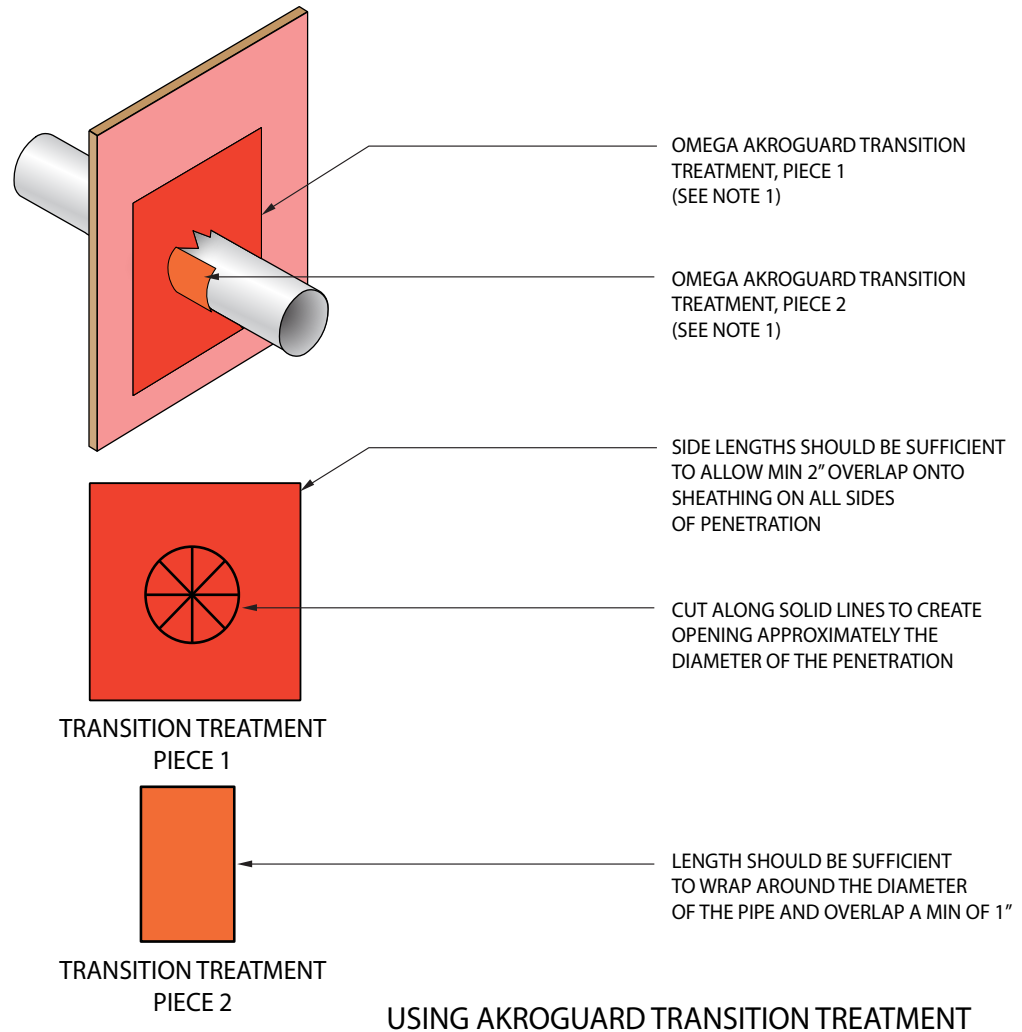
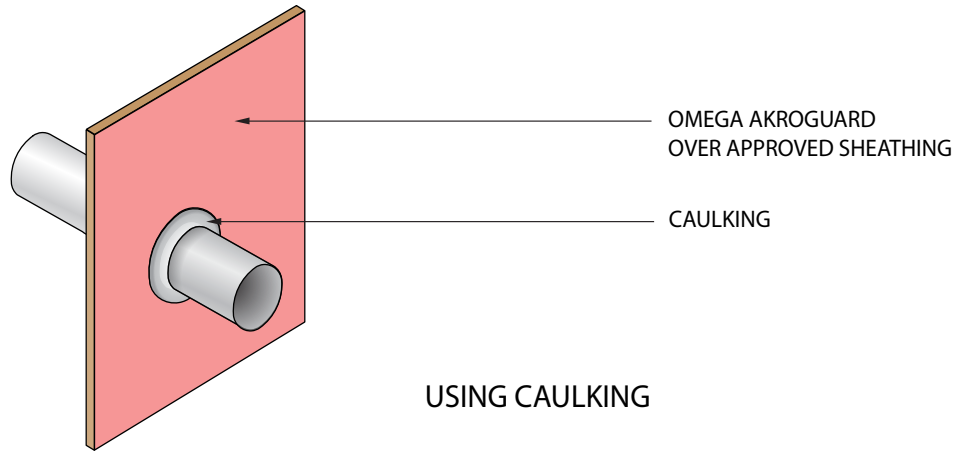
**TYPICAL VERTICAL  
 EXPANSION JOINTS**

DRAWING NO.: AGB 05.00

DRAWN: APRIL 2013

**NOTES:**

1. AkroGuard transition treatments options:
  - AkroFill with Reinforcing Mesh
  - AkroGuard with AkroGuard Fabric
2. For gaps greater than 1/8" wide, use a low-expanding urethane spray foam, trimmed flush with the sheathing surface.



**GENERAL NOTES:**

- Prior to application, refer to current AkroGuard data sheets, specifications, and other literature for detailed installation requirements.
- A bond breaker, such as building paper, must be used over the AkroGuard when claddings such as stucco and adhered stone veneer will be applied.

Products not identified as Omega are typically provided by other manufacturers and may not be installed by the contractors that install Omega products.

THE ARCHITECTURE, ENGINEERING, AND DESIGN OF THE PROJECT USING OMEGA PRODUCTS IS THE RESPONSIBILITY OF THE PROJECT'S DESIGN PROFESSIONAL. ALL SYSTEMS MUST COMPLY WITH LOCAL BUILDING CODES AND STANDARDS. THIS DETAIL IS FOR GENERAL INFORMATION AND GUIDANCE ONLY, AND OMEGA INC. SPECIFICALLY DISCLAIMS ANY LIABILITY FOR THE USE OF THIS DETAIL AND FOR THE ARCHITECTURE, DESIGN, ENGINEERING, OR WORKMANSHIP OF ANY PROJECT. THE PROJECT DESIGN PROFESSIONAL DETERMINES, IN ITS SOLE DISCRETION, WHETHER THIS DETAIL OR A FUNCTIONALLY EQUIVALENT ALTERNATIVE IS BEST SUITED FOR THE PROJECT. USE OF A FUNCTIONALLY EQUIVALENT DETAIL DOES NOT VIOLATE OMEGA'S WARRANTY. THIS DETAIL IS SUBJECT TO CHANGE WITHOUT NOTICE. CONTACT OMEGA TO INSURE YOU HAVE THE MOST RECENT VERSION.



CORPORATE OFFICE  
 1681 CALIFORNIA AVE. CORONA, CA 92881  
 INFO@OMEGA-PRODUCTS.COM  
 OMEGA-PRODUCTS.COM  
 © 2013 OMEGA PRODUCTS INTERNATIONAL  
 ALL RIGHTS RESERVED.

**AKROGUARD WATER-RESISTIVE AIR BARRIER**

**TYPICAL PIPE PENETRATION**

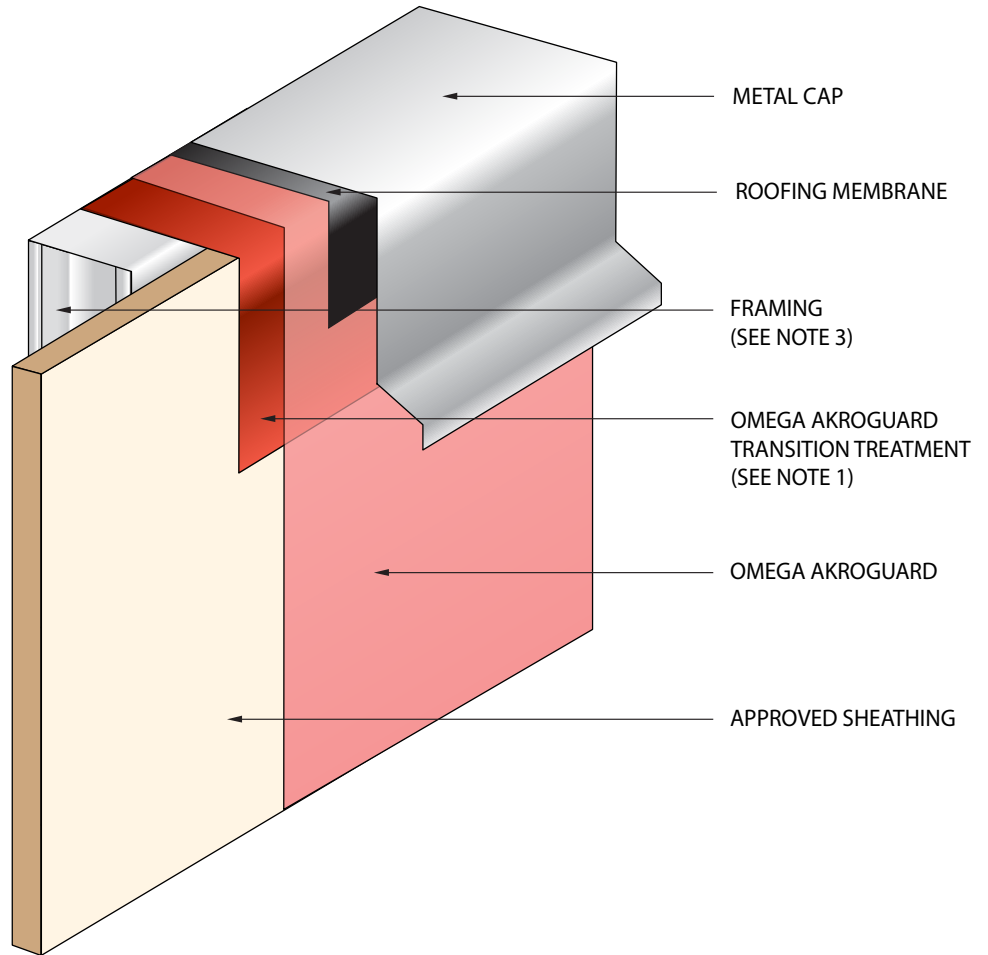
DRAWING NO.: AGB 06.00

DRAWN: APRIL 2013



**NOTES:**

1. AkroGuard transition treatments options:
  - AkroFill with Reinforcing Mesh
  - AkroGuard with AkroGuard Fabric
  - Approved Self-adhered Flashing
2. Roofing membrane should be continuous with AkroGuard.
3. Ensure framing has positive slope.



**GENERAL NOTES:**

- Prior to application, refer to current AkroGuard data sheets, specifications, and other literature for detailed installation requirements.
- A bond breaker, such as building paper, must be used over the AkroGuard when claddings such as stucco and adhered stone veneer will be applied.

Products not identified as Omega are typically provided by other manufacturers and may not be installed by the contractors that install Omega products.

THE ARCHITECTURE, ENGINEERING, AND DESIGN OF THE PROJECT USING OMEGA PRODUCTS IS THE RESPONSIBILITY OF THE PROJECT'S DESIGN PROFESSIONAL. ALL SYSTEMS MUST COMPLY WITH LOCAL BUILDING CODES AND STANDARDS. THIS DETAIL IS FOR GENERAL INFORMATION AND GUIDANCE ONLY, AND OMEGA INC. SPECIFICALLY DISCLAIMS ANY LIABILITY FOR THE USE OF THIS DETAIL AND FOR THE ARCHITECTURE, DESIGN, ENGINEERING, OR WORKMANSHIP OF ANY PROJECT. THE PROJECT DESIGN PROFESSIONAL DETERMINES, IN ITS SOLE DISCRETION, WHETHER THIS DETAIL OR A FUNCTIONALLY EQUIVALENT ALTERNATIVE IS BEST SUITED FOR THE PROJECT. USE OF A FUNCTIONALLY EQUIVALENT DETAIL DOES NOT VIOLATE OMEGA'S WARRANTY. THIS DETAIL IS SUBJECT TO CHANGE WITHOUT NOTICE. CONTACT OMEGA TO INSURE YOU HAVE THE MOST RECENT VERSION.



CORPORATE OFFICE  
 1681 CALIFORNIA AVE. CORONA, CA 92881  
 INFO@OMEGA-PRODUCTS.COM  
 OMEGA-PRODUCTS.COM  
 © 2013 OMEGA PRODUCTS INTERNATIONAL  
 ALL RIGHTS RESERVED.

**AKROGUARD WATER-RESISTIVE  
 AIR BARRIER**

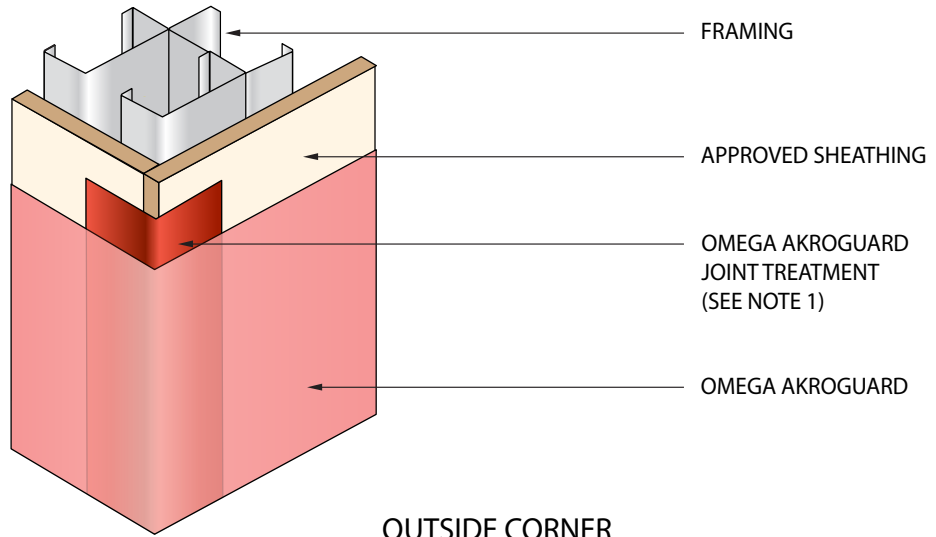
**TYPICAL PARAPET WITH  
 METAL CAP**

DRAWING NO.: AGB 07.00

DRAWN: APRIL 2013

**NOTES:**

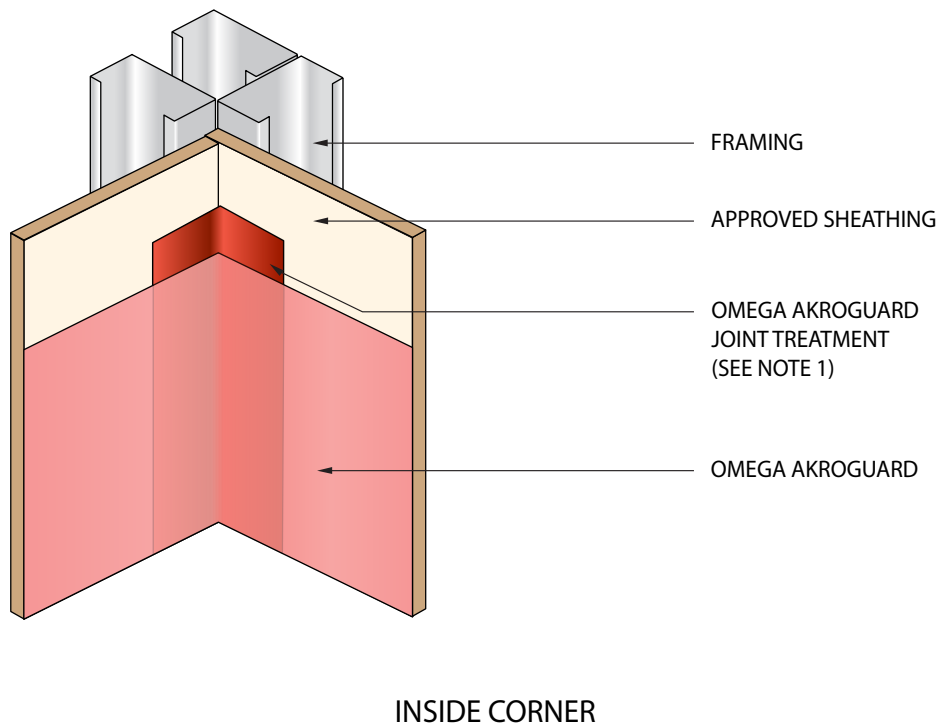
1. AkroGuard joint treatments options:
- AkroFill with Reinforcing Mesh
  - AkroGuard with AkroGuard Fabric



**GENERAL NOTES:**

- Prior to application, refer to current AkroGuard data sheets, specifications, and other literature for detailed installation requirements.
- A bond breaker, such as building paper, must be used over the AkroGuard when claddings such as stucco and adhered stone veneer will be applied.

Products not identified as Omega are typically provided by other manufacturers and may not be installed by the contractors that install Omega products.



THE ARCHITECTURE, ENGINEERING, AND DESIGN OF THE PROJECT USING OMEGA PRODUCTS IS THE RESPONSIBILITY OF THE PROJECT'S DESIGN PROFESSIONAL. ALL SYSTEMS MUST COMPLY WITH LOCAL BUILDING CODES AND STANDARDS. THIS DETAIL IS FOR GENERAL INFORMATION AND GUIDANCE ONLY, AND OMEGA INC. SPECIFICALLY DISCLAIMS ANY LIABILITY FOR THE USE OF THIS DETAIL AND FOR THE ARCHITECTURE, DESIGN, ENGINEERING, OR WORKMANSHIP OF ANY PROJECT. THE PROJECT DESIGN PROFESSIONAL DETERMINES, IN ITS SOLE DISCRETION, WHETHER THIS DETAIL OR A FUNCTIONALLY EQUIVALENT ALTERNATIVE IS BEST SUITED FOR THE PROJECT. USE OF A FUNCTIONALLY EQUIVALENT DETAIL DOES NOT VIOLATE OMEGA'S WARRANTY. THIS DETAIL IS SUBJECT TO CHANGE WITHOUT NOTICE. CONTACT OMEGA TO INSURE YOU HAVE THE MOST RECENT VERSION.



CORPORATE OFFICE  
 1681 CALIFORNIA AVE. CORONA, CA 92881  
 INFO@OMEGA-PRODUCTS.COM  
 OMEGA-PRODUCTS.COM  
 © 2013 OMEGA PRODUCTS INTERNATIONAL  
 ALL RIGHTS RESERVED.

**AKROGUARD WATER-RESISTIVE AIR BARRIER**

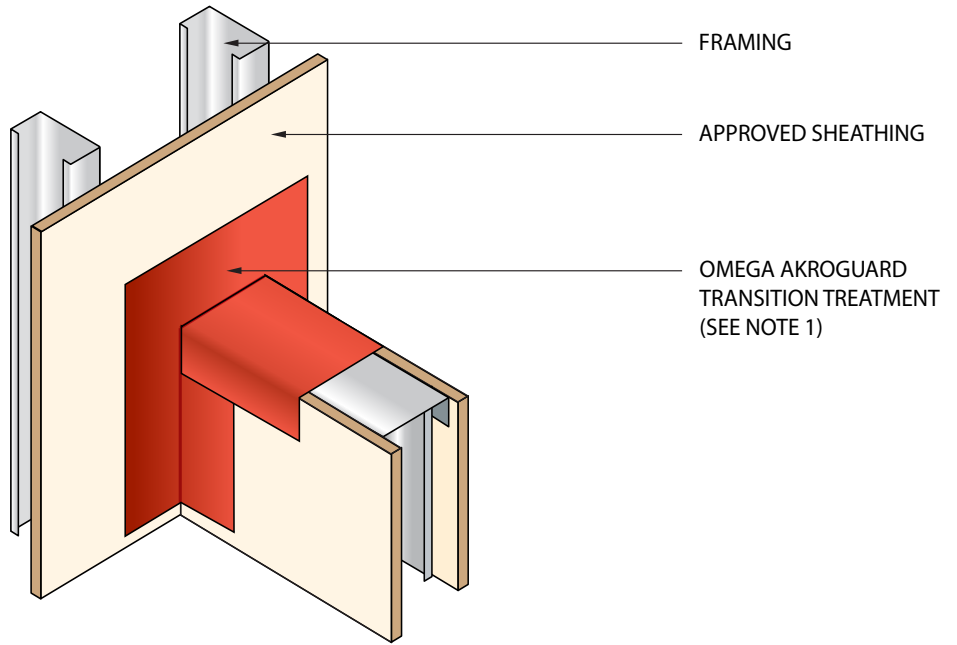
**TYPICAL CORNER DETAILS**

DRAWING NO.: AGB 08.00

DRAWN: APRIL 2013

**NOTES:**

1. AkroGuard transition treatments options:
- AkroFill with Reinforcing Mesh
  - AkroGuard with AkroGuard Fabric
  - Approved Self-adhered Flashing

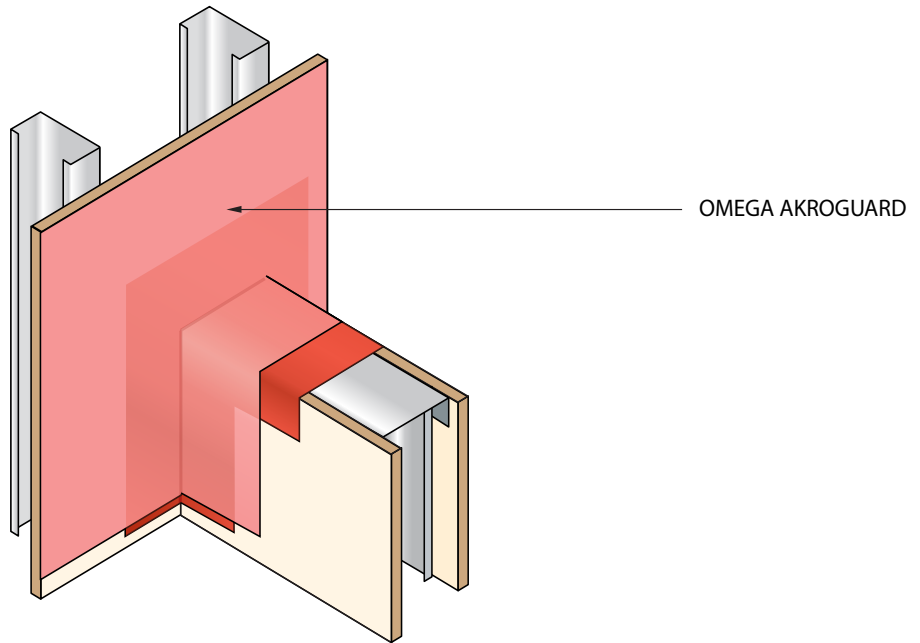


STEP ONE

**GENERAL NOTES:**

- Prior to application, refer to current AkroGuard data sheets, specifications, and other literature for detailed installation requirements.
- A bond breaker, such as building paper, must be used over the AkroGuard when claddings such as stucco and adhered stone veneer will be applied.

Products not identified as Omega are typically provided by other manufacturers and may not be installed by the contractors that install Omega products.



STEP TWO

THE ARCHITECTURE, ENGINEERING, AND DESIGN OF THE PROJECT USING OMEGA PRODUCTS IS THE RESPONSIBILITY OF THE PROJECT'S DESIGN PROFESSIONAL. ALL SYSTEMS MUST COMPLY WITH LOCAL BUILDING CODES AND STANDARDS. THIS DETAIL IS FOR GENERAL INFORMATION AND GUIDANCE ONLY, AND OMEGA INC. SPECIFICALLY DISCLAIMS ANY LIABILITY FOR THE USE OF THIS DETAIL AND FOR THE ARCHITECTURE, DESIGN, ENGINEERING, OR WORKMANSHIP OF ANY PROJECT. THE PROJECT DESIGN PROFESSIONAL DETERMINES, IN ITS SOLE DISCRETION, WHETHER THIS DETAIL OR A FUNCTIONALLY EQUIVALENT ALTERNATIVE IS BEST SUITED FOR THE PROJECT. USE OF A FUNCTIONALLY EQUIVALENT DETAIL DOES NOT VIOLATE OMEGA'S WARRANTY. THIS DETAIL IS SUBJECT TO CHANGE WITHOUT NOTICE. CONTACT OMEGA TO INSURE YOU HAVE THE MOST RECENT VERSION.



CORPORATE OFFICE  
 1681 CALIFORNIA AVE. CORONA, CA 92881  
 INFO@OMEGA-PRODUCTS.COM  
 OMEGA-PRODUCTS.COM  
 © 2013 OMEGA PRODUCTS INTERNATIONAL  
 ALL RIGHTS RESERVED.

**AKROGUARD WATER-RESISTIVE AIR BARRIER**

TYPICAL SADDLE DETAIL

DRAWING NO.: AGB 09.00

DRAWN: APRIL 2013

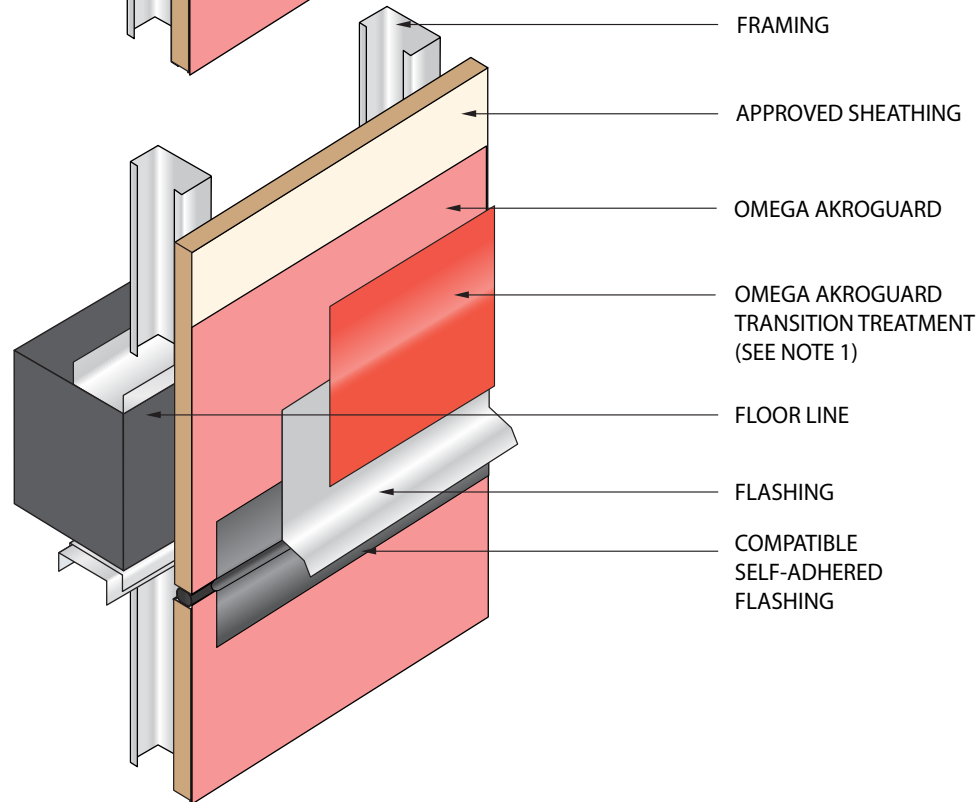
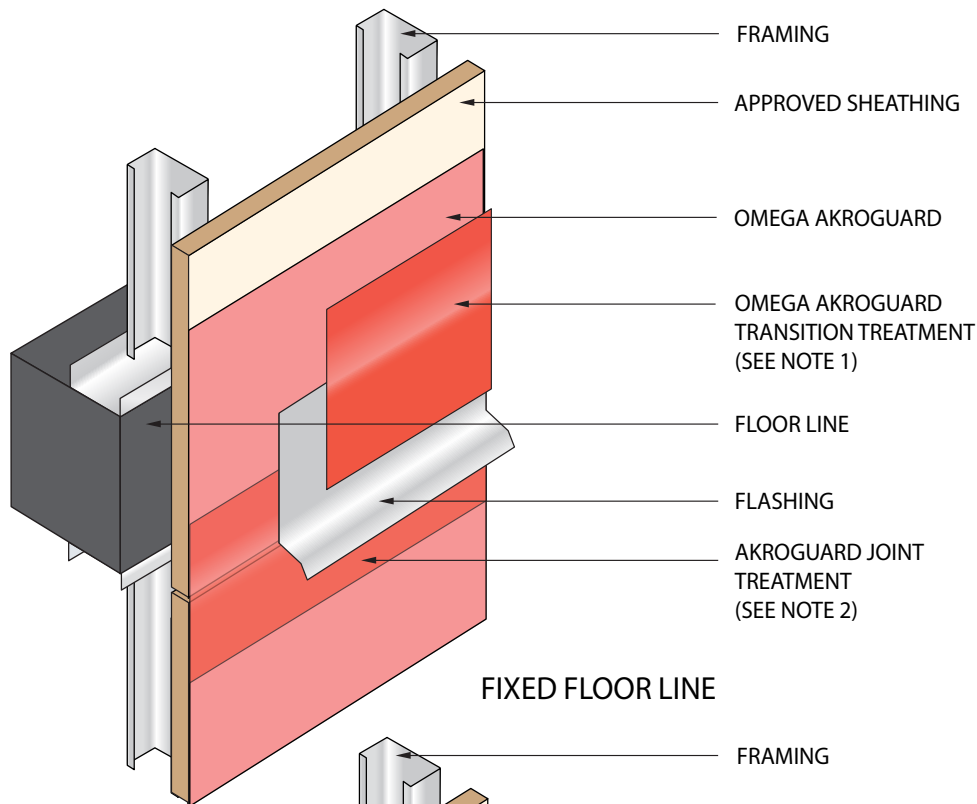
**NOTES:**

1. AkroGuard transition treatments:
  - AkroFill with Reinforcing Mesh
  - AkroGuard with AkroGuard Fabric
  - Approved Self-Adhered Flashing
2. AkroGuard joint treatments:
  - AkroFill with Reinforcing Mesh
  - AkroGuard with AkroGuard Fabric

**GENERAL NOTES:**

- Prior to application, refer to current AkroGuard data sheets, specifications, and other literature for detailed installation requirements.
- A bond breaker, such as building paper, must be used over the AkroGuard when claddings such as stucco and adhered stone veneer will be applied.

Products not identified as Omega are typically provided by other manufacturers and may not be installed by the contractors that install Omega products.



THE ARCHITECTURE, ENGINEERING, AND DESIGN OF THE PROJECT USING OMEGA PRODUCTS IS THE RESPONSIBILITY OF THE PROJECT'S DESIGN PROFESSIONAL. ALL SYSTEMS MUST COMPLY WITH LOCAL BUILDING CODES AND STANDARDS. THIS DETAIL IS FOR GENERAL INFORMATION AND GUIDANCE ONLY, AND OMEGA INC. SPECIFICALLY DISCLAIMS ANY LIABILITY FOR THE USE OF THIS DETAIL AND FOR THE ARCHITECTURE, DESIGN, ENGINEERING, OR WORKMANSHIP OF ANY PROJECT. THE PROJECT DESIGN PROFESSIONAL DETERMINES, IN ITS SOLE DISCRETION, WHETHER THIS DETAIL OR A FUNCTIONALLY EQUIVALENT ALTERNATIVE IS BEST SUITED FOR THE PROJECT. USE OF A FUNCTIONALLY EQUIVALENT DETAIL DOES NOT VIOLATE OMEGA'S WARRANTY. THIS DETAIL IS SUBJECT TO CHANGE WITHOUT NOTICE. CONTACT OMEGA TO INSURE YOU HAVE THE MOST RECENT VERSION.



CORPORATE OFFICE  
 1681 CALIFORNIA AVE. CORONA, CA 92881  
 INFO@OMEGA-PRODUCTS.COM  
 OMEGA-PRODUCTS.COM  
 © 2013 OMEGA PRODUCTS INTERNATIONAL  
 ALL RIGHTS RESERVED.

**AKROGUARD WATER-RESISTIVE AIR BARRIER**

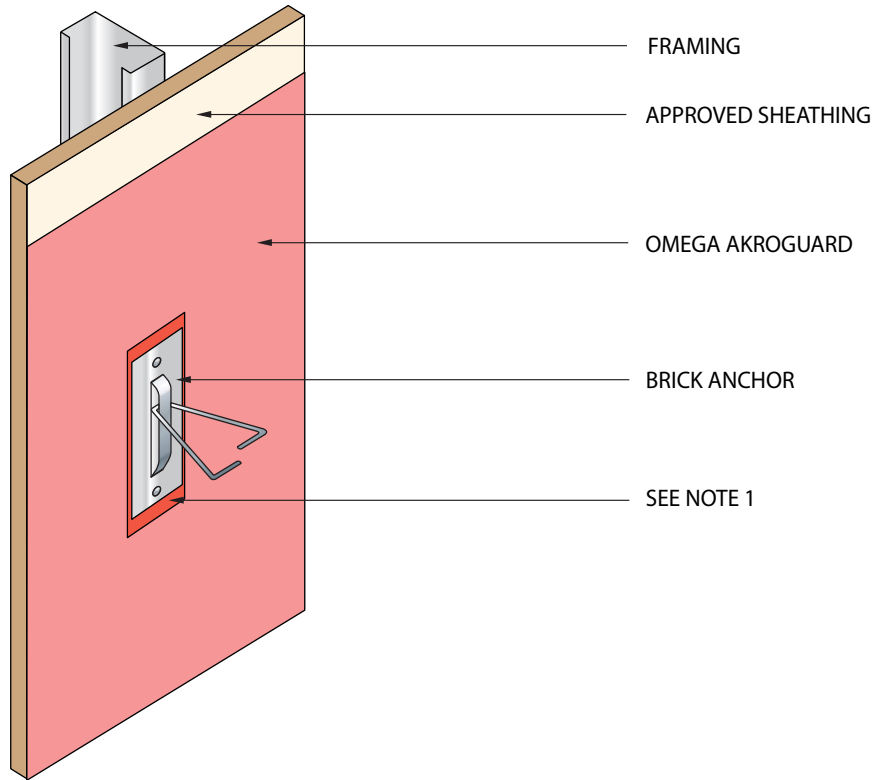
**TYPICAL FLOOR LINES**

DRAWING NO.: AGB 010.00

DRAWN: APRIL 2013

**NOTES:**

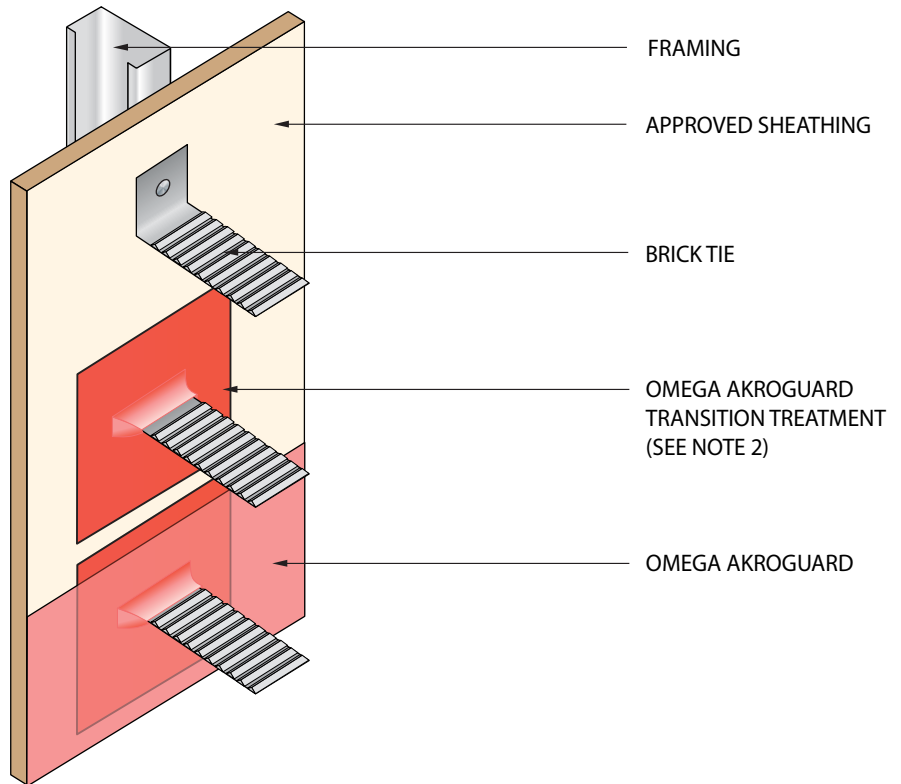
1. Attach brick anchor in a bed of AkroFill
2. AkroGuard transition treatments:
  - AkroFill with Reinforcing Mesh
  - AkroGuard with AkroGuard Fabric



**GENERAL NOTES:**

- Prior to application, refer to current AkroGuard data sheets, specifications, and other literature for detailed installation requirements.
- A bond breaker, such as building paper, must be used over the AkroGuard when claddings such as stucco and adhered stone veneer will be applied.

Products not identified as Omega are typically provided by other manufacturers and may not be installed by the contractors that install Omega products.



THE ARCHITECTURE, ENGINEERING, AND DESIGN OF THE PROJECT USING OMEGA PRODUCTS IS THE RESPONSIBILITY OF THE PROJECT'S DESIGN PROFESSIONAL. ALL SYSTEMS MUST COMPLY WITH LOCAL BUILDING CODES AND STANDARDS. THIS DETAIL IS FOR GENERAL INFORMATION AND GUIDANCE ONLY, AND OMEGA INC. SPECIFICALLY DISCLAIMS ANY LIABILITY FOR THE USE OF THIS DETAIL AND FOR THE ARCHITECTURE, DESIGN, ENGINEERING, OR WORKMANSHIP OF ANY PROJECT. THE PROJECT DESIGN PROFESSIONAL DETERMINES, IN ITS SOLE DISCRETION, WHETHER THIS DETAIL OR A FUNCTIONALLY EQUIVALENT ALTERNATIVE IS BEST SUITED FOR THE PROJECT. USE OF A FUNCTIONALLY EQUIVALENT DETAIL DOES NOT VIOLATE OMEGA'S WARRANTY. THIS DETAIL IS SUBJECT TO CHANGE WITHOUT NOTICE. CONTACT OMEGA TO INSURE YOU HAVE THE MOST RECENT VERSION.



CORPORATE OFFICE  
 1681 CALIFORNIA AVE. CORONA, CA 92881  
 INFO@OMEGA-PRODUCTS.COM  
 OMEGA-PRODUCTS.COM  
 © 2013 OMEGA PRODUCTS INTERNATIONAL  
 ALL RIGHTS RESERVED.

# AKROGUARD WATER-RESISTIVE AIR BARRIER

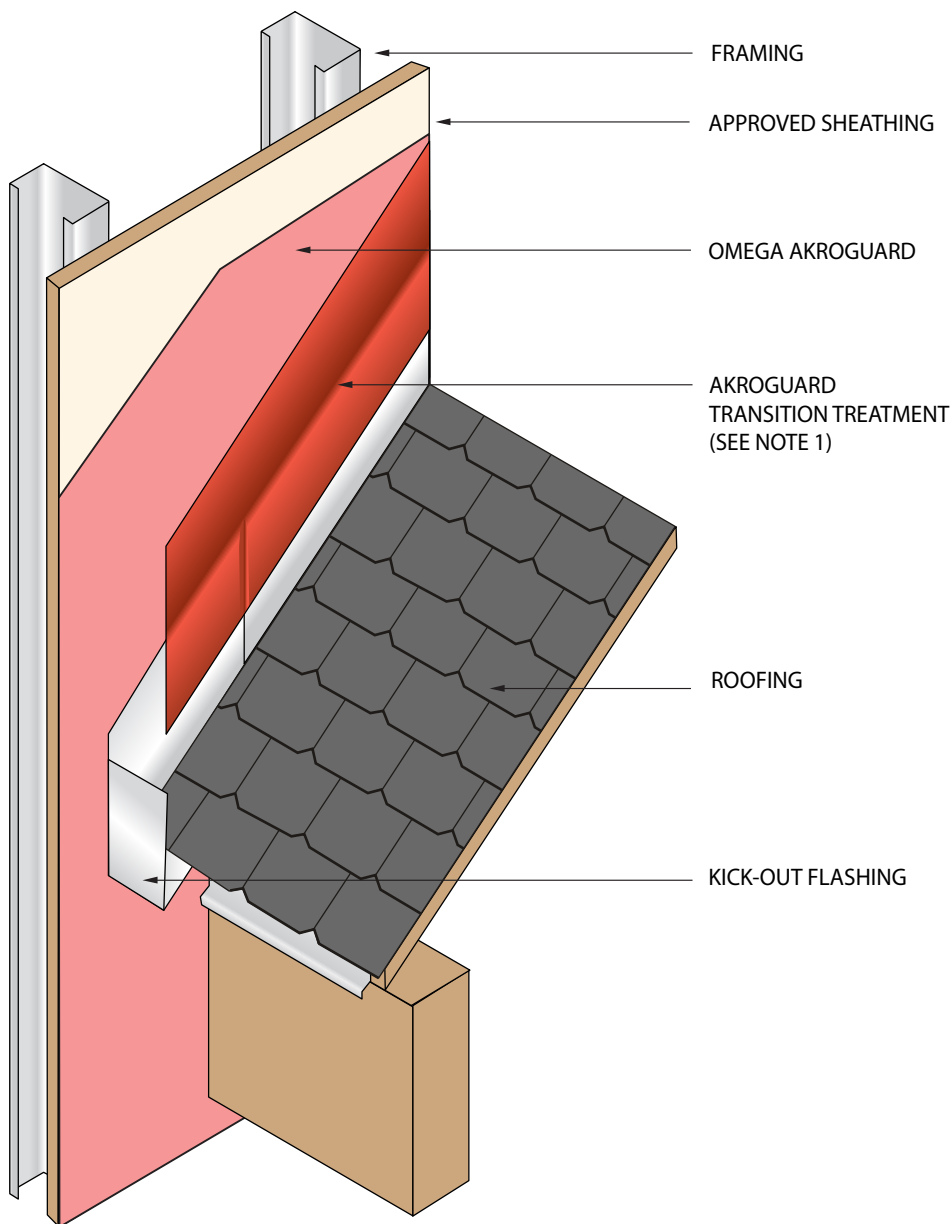
MASONRY ANCHOR

DRAWING NO.: AGB 011.00

DRAWN: APRIL 2013

**NOTES:**

- 1. AkroGuard transition treatments:
  - AkroFill with Reinforcing Mesh
  - AkroGuard with AkroGuard Fabric
  - Approved Self-Adhered Flashing



**GENERAL NOTES:**

- Prior to application, refer to current AkroGuard data sheets, specifications, and other literature for detailed installation requirements.
- A bond breaker, such as building paper, must be used over the AkroGuard when claddings such as stucco and adhered stone veneer will be applied.

Products not identified as Omega are typically provided by other manufacturers and may not be installed by the contractors that install Omega products.

THE ARCHITECTURE, ENGINEERING, AND DESIGN OF THE PROJECT USING OMEGA PRODUCTS IS THE RESPONSIBILITY OF THE PROJECT'S DESIGN PROFESSIONAL. ALL SYSTEMS MUST COMPLY WITH LOCAL BUILDING CODES AND STANDARDS. THIS DETAIL IS FOR GENERAL INFORMATION AND GUIDANCE ONLY, AND OMEGA INC. SPECIFICALLY DISCLAIMS ANY LIABILITY FOR THE USE OF THIS DETAIL AND FOR THE ARCHITECTURE, DESIGN, ENGINEERING, OR WORKMANSHIP OF ANY PROJECT. THE PROJECT DESIGN PROFESSIONAL DETERMINES, IN ITS SOLE DISCRETION, WHETHER THIS DETAIL OR A FUNCTIONALLY EQUIVALENT ALTERNATIVE IS BEST SUITED FOR THE PROJECT. USE OF A FUNCTIONALLY EQUIVALENT DETAIL DOES NOT VIOLATE OMEGA'S WARRANTY. THIS DETAIL IS SUBJECT TO CHANGE WITHOUT NOTICE. CONTACT OMEGA TO INSURE YOU HAVE THE MOST RECENT VERSION.



CORPORATE OFFICE  
1681 CALIFORNIA AVE. CORONA, CA 92881  
INFO@OMEGA-PRODUCTS.COM  
OMEGA-PRODUCTS.COM  
© 2013 OMEGA PRODUCTS INTERNATIONAL  
ALL RIGHTS RESERVED.

# AKROGUARD WATER-RESISTIVE AIR BARRIER

ROOF/WALL KICK-OUT FLASHING

DRAWING NO.: AGB 012.00

DRAWN: APRIL 2013

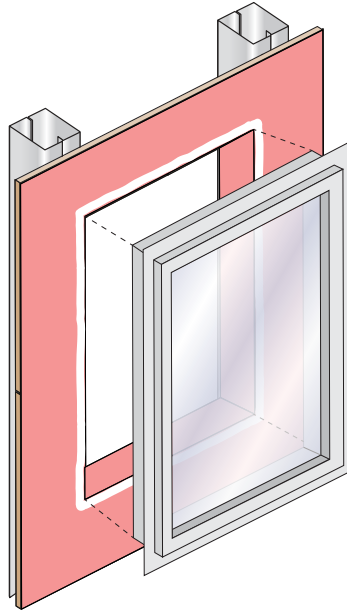


**NOTES:**

1. AkroGuard transition treatments:
  - AkroFill with Reinforcing Mesh
  - AkroGuard with AkroGuard Fabric
  - Approved Self-Adhered flashing
2. Prepare rough opening with AkroGuard prior to installing window. See AGB 03.00 for details.

**STEP 1:** PRIOR TO INSTALLING FLANGED WINDOW, APPLY A CONTINUOUS BEAD OF APPROVED SEALANT TO THE BACKSIDE OF MOUNTING FLANGE. INSTALL THE WINDOW PER WINDOW MANUFACTURER'S AND LOCAL CODE REQUIREMENTS.

**STEP 1**

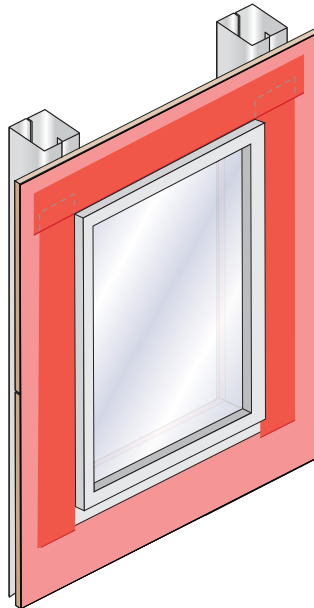


**GENERAL NOTES:**

- Prior to application, refer to current AkroGuard data sheets, specifications, and other literature for detailed installation requirements.
- A bond breaker, such as building paper, must be used over the AkroGuard when claddings such as stucco and adhered stone veneer will be applied.
- Products not identified as Omega are typically provided by other manufacturers and may not be installed by the contractors that install Omega products.

**STEP 2:** APPLY AKROGUARD TRANSITION TREATMENT OVER THE JAMB FLANGES, THEN APPLY OVER THE HEAD FLANGE. COVER TRANSITION TREATMENTS WITH A COAT OF AKROGUARD AND LAP ONTO THE SHEATHING.

**STEP 2**



THE ARCHITECTURE, ENGINEERING, AND DESIGN OF THE PROJECT USING OMEGA PRODUCTS IS THE RESPONSIBILITY OF THE PROJECT'S DESIGN PROFESSIONAL. ALL SYSTEMS MUST COMPLY WITH LOCAL BUILDING CODES AND STANDARDS. THIS DETAIL IS FOR GENERAL INFORMATION AND GUIDANCE ONLY, AND OMEGA INC. SPECIFICALLY DISCLAIMS ANY LIABILITY FOR THE USE OF THIS DETAIL AND FOR THE ARCHITECTURE, DESIGN, ENGINEERING, OR WORKMANSHIP OF ANY PROJECT. THE PROJECT DESIGN PROFESSIONAL DETERMINES, IN ITS SOLE DISCRETION, WHETHER THIS DETAIL OR A FUNCTIONALLY EQUIVALENT ALTERNATIVE IS BEST SUITED FOR THE PROJECT. USE OF A FUNCTIONALLY EQUIVALENT DETAIL DOES NOT VIOLATE OMEGA'S WARRANTY. THIS DETAIL IS SUBJECT TO CHANGE WITHOUT NOTICE. CONTACT OMEGA TO INSURE YOU HAVE THE MOST RECENT VERSION.



CORPORATE OFFICE  
1681 CALIFORNIA AVE. CORONA, CA 92881  
INFO@OMEGA-PRODUCTS.COM  
OMEGA-PRODUCTS.COM  
© 2024 OMEGA PRODUCTS INTERNATIONAL  
ALL RIGHTS RESERVED.

# AKROGUARD WATER-RESISTIVE AIR BARRIER

TYPICAL NAIL FLANGE WINDOW

DRAWING NO.: AGB 013.00

DRAWN: MARCH 2024