

Diamond Wall System Typical Details

PRODUCTS INTERNATIONAL

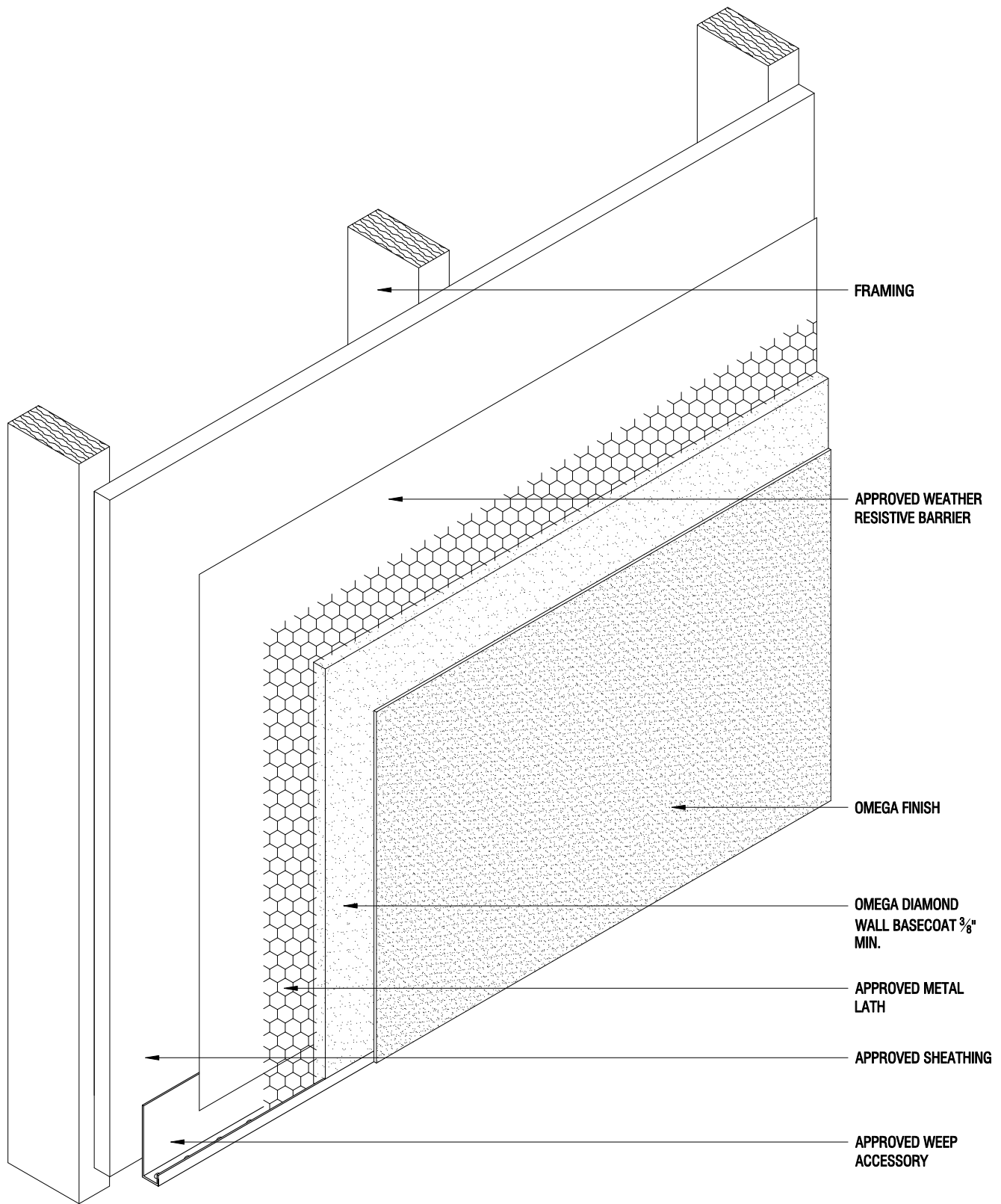
Table of Contents

- DWS 01 APPLICATION OVER OPEN FRAMING
- DWS 02 TYPICAL TERMINATION AT FOUNDATION
- DWS 03 TYPICAL TERMINATION AT DECK
- DWS 04 HORIZONTAL \ VERTICAL TYPICAL CONTROL JOINT
- DWS 05 TYPICAL EXPANSION JOINTS
- DWS 06 TYPICAL CORNER DETAILS
- DWS 07 FLASHING MEMBRANE AND WRB APPLICATIONS SEQUENCE
- DWS 08 FLASHING MEMBRANE AND WRB APPLICATIONS SEQUENCE
- DWS 09 TYPICAL TERMINATION AT WINDOW HEAD AND SILL
- DWS 10 TYPICAL PARAPET WITH METAL CAP
- DWS 11 TYPICAL PARAPET
- DWS 12 ROOF/WALL KICK-OUT FLASHING DETAIL
- DWS 13 TYPICAL FOAM PLANT-ONS
- DWS 14 SOFFIT AND EVE TERMINATIONS

DIAMOND WALL SYSTEM

www.omega-products.com





FRAMING

APPROVED WEATHER RESISTIVE BARRIER

OMEGA FINISH

OMEGA DIAMOND WALL BASECOAT 3/8" MIN.

APPROVED METAL LATH

APPROVED SHEATHING

APPROVED WEEP ACCESSORY

THE ARCHITECTURE, ENGINEERING, AND DESIGN OF THE PROJECT USING OMEGA PRODUCTS IS THE RESPONSIBILITY OF THE PROJECT'S DESIGN PROFESSIONAL. ALL SYSTEMS MUST COMPLY WITH LOCAL BUILDING CODES AND STANDARDS. THIS DETAIL IS FOR GENERAL INFORMATION AND GUIDANCE ONLY, AND OMEGA INC. SPECIFICALLY DISCLAIMS ANY LIABILITY FOR THE USE OF THIS DETAIL AND FOR THE ARCHITECTURE, DESIGN, ENGINEERING, OR WORKMANSHIP OF ANY PROJECT. THE PROJECT DESIGN PROFESSIONAL DETERMINES, IN ITS SOLE DISCRETION, WHETHER THIS DETAIL OR A FUNCTIONALLY EQUIVALENT ALTERNATIVE IS BEST SUITED FOR THE THE PROJECT. USE OF A FUNCTIONALLY EQUIVALENT DETAIL DOES NOT VIOLATE OMEGA'S WARRANTY. THIS DETAIL IS SUBJECT TO CHANGE WITHOUT NOTICE. CONTACT OMEGA TO INSURE YOU HAVE THE MOST RECENT VERSION.



CORPORATE OFFICE
 1681 CALIFORNIA AVE., CORONA, CA 92881
 E-MAIL: INFO@OMEGA-PRODUCTS.COM
 WEBSITE: WWW.OMEGA-PRODUCTS.COM

DIAMOND WALL ONE-COAT SYSTEM DETAILS

APPLICATION OVER APPROVED SHEATHING

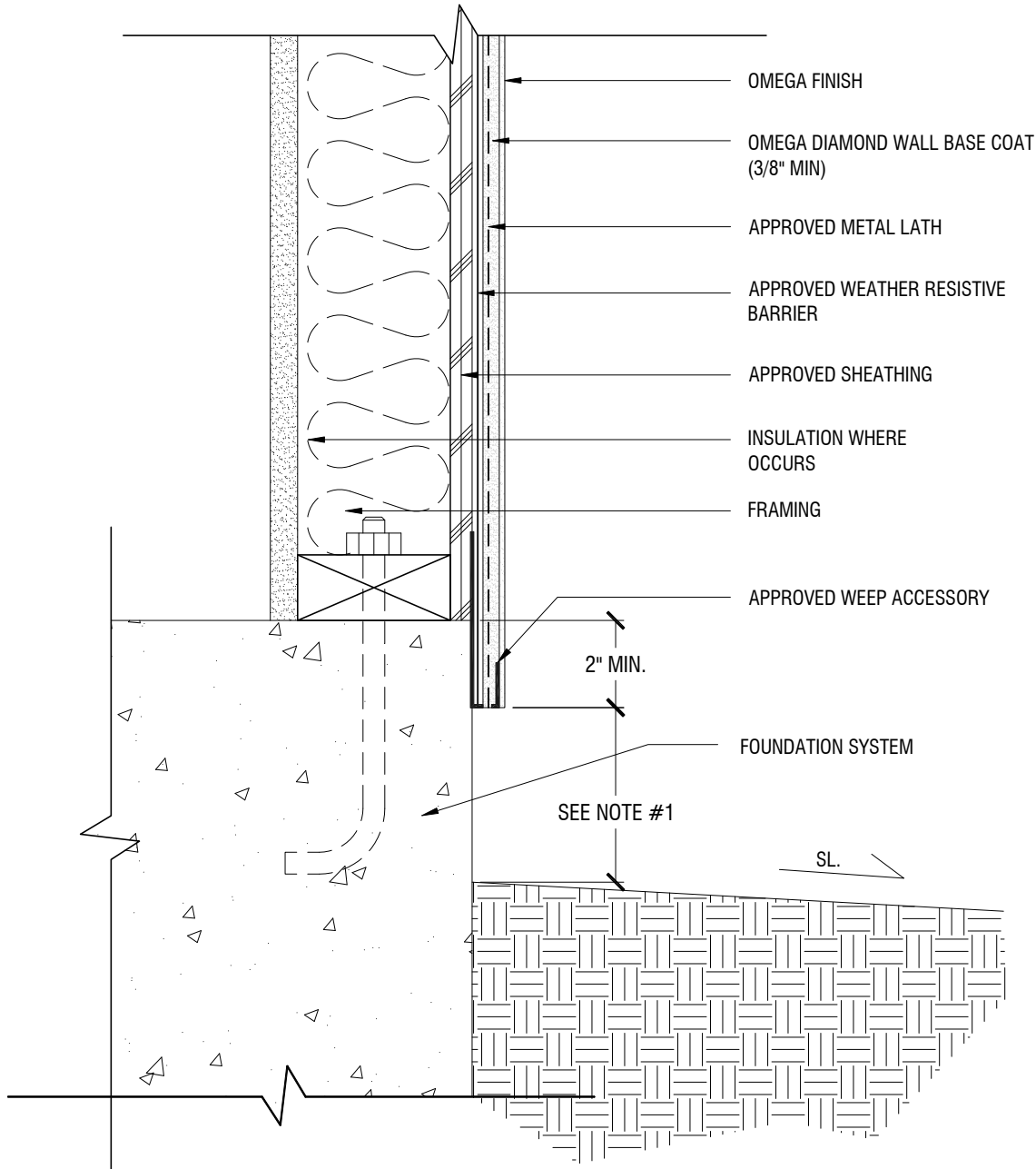
SCALE: 3"=1'-0"

DRAWING NO.: DWS 01.00

DRAWN: JUNE 2011

NOTES

1. 4" MIN. ABOVE GRADE, 2" MIN. ABOVE PAVED SURFACES/HARDSCAPE, OR AS SPECIFIED BY LOCAL CODE



THE ARCHITECTURE, ENGINEERING, AND DESIGN OF THE PROJECT USING OMEGA PRODUCTS IS THE RESPONSIBILITY OF THE PROJECT'S DESIGN PROFESSIONAL. ALL SYSTEMS MUST COMPLY WITH LOCAL BUILDING CODES AND STANDARDS. THIS DETAIL IS FOR GENERAL INFORMATION AND GUIDANCE ONLY, AND OMEGA INC. SPECIFICALLY DISCLAIMS ANY LIABILITY FOR THE USE OF THIS DETAIL AND FOR THE ARCHITECTURE, DESIGN, ENGINEERING, OR WORKMANSHIP OF ANY PROJECT. THE PROJECT DESIGN PROFESSIONAL DETERMINES, IN ITS SOLE DISCRETION, WHETHER THIS DETAIL OR A FUNCTIONALLY EQUIVALENT ALTERNATIVE IS BEST SUITED FOR THE THE PROJECT. USE OF A FUNCTIONALLY EQUIVALENT DETAIL DOES NOT VIOLATE OMEGA'S WARRANTY. THIS DETAIL IS SUBJECT TO CHANGE WITHOUT NOTICE. CONTACT OMEGA TO INSURE YOU HAVE THE MOST RECENT VERSION.

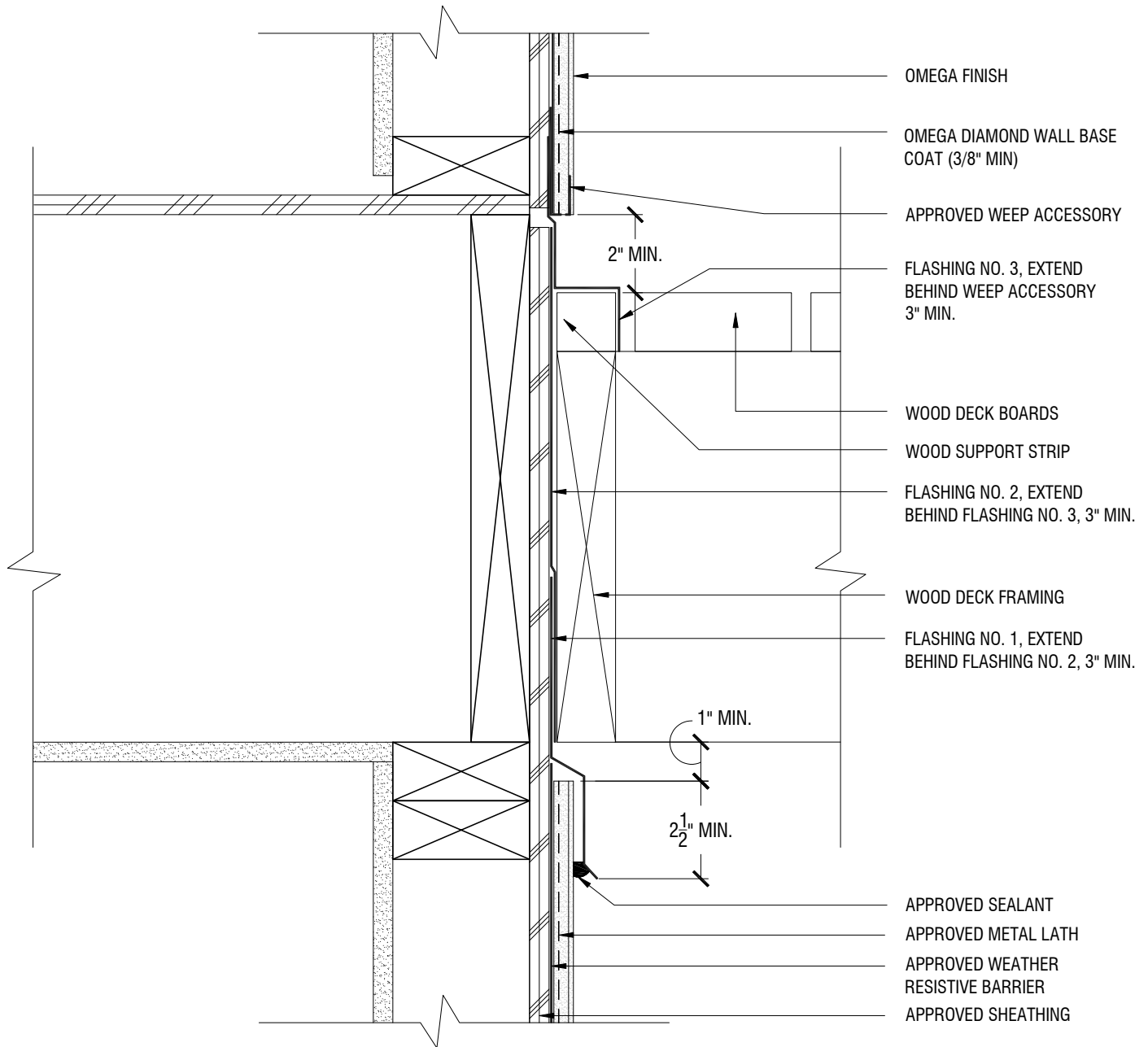


CORPORATE OFFICE
 1681 CALIFORNIA AVE., CORONA, CA 92881
 E-MAIL: INFO@OMEGA-PRODUCTS.COM
 WEBSITE: WWW.OMEGA-PRODUCTS.COM

**DIAMOND WALL ONE-COAT
 SYSTEM DETAILS**

**TYPICAL TERMINATION
 AT FOUNDATION**

SCALE: 3"=1'-0" | DRAWING NO.: DWS 02.00 | DRAWN: JUNE 2011



THE ARCHITECTURE, ENGINEERING, AND DESIGN OF THE PROJECT USING OMEGA PRODUCTS IS THE RESPONSIBILITY OF THE PROJECT'S DESIGN PROFESSIONAL. ALL SYSTEMS MUST COMPLY WITH LOCAL BUILDING CODES AND STANDARDS. THIS DETAIL IS FOR GENERAL INFORMATION AND GUIDANCE ONLY, AND OMEGA INC. SPECIFICALLY DISCLAIMS ANY LIABILITY FOR THE USE OF THIS DETAIL AND FOR THE ARCHITECTURE, DESIGN, ENGINEERING, OR WORKMANSHIP OF ANY PROJECT. THE PROJECT DESIGN PROFESSIONAL DETERMINES, IN ITS SOLE DISCRETION, WHETHER THIS DETAIL OR A FUNCTIONALLY EQUIVALENT ALTERNATIVE IS BEST SUITED FOR THE THE PROJECT. USE OF A FUNCTIONALLY EQUIVALENT DETAIL DOES NOT VIOLATE OMEGA'S WARRANTY. THIS DETAIL IS SUBJECT TO CHANGE WITHOUT NOTICE. CONTACT OMEGA TO INSURE YOU HAVE THE MOST RECENT VERSION.



CORPORATE OFFICE
 1681 CALIFORNIA AVE., CORONA, CA 92881
 E-MAIL: INFO@OMEGA-PRODUCTS.COM
 WEBSITE: WWW.OMEGA-PRODUCTS.COM

DIAMOND WALL ONE-COAT SYSTEM DETAILS

TYPICAL TERMINATION AT DECK

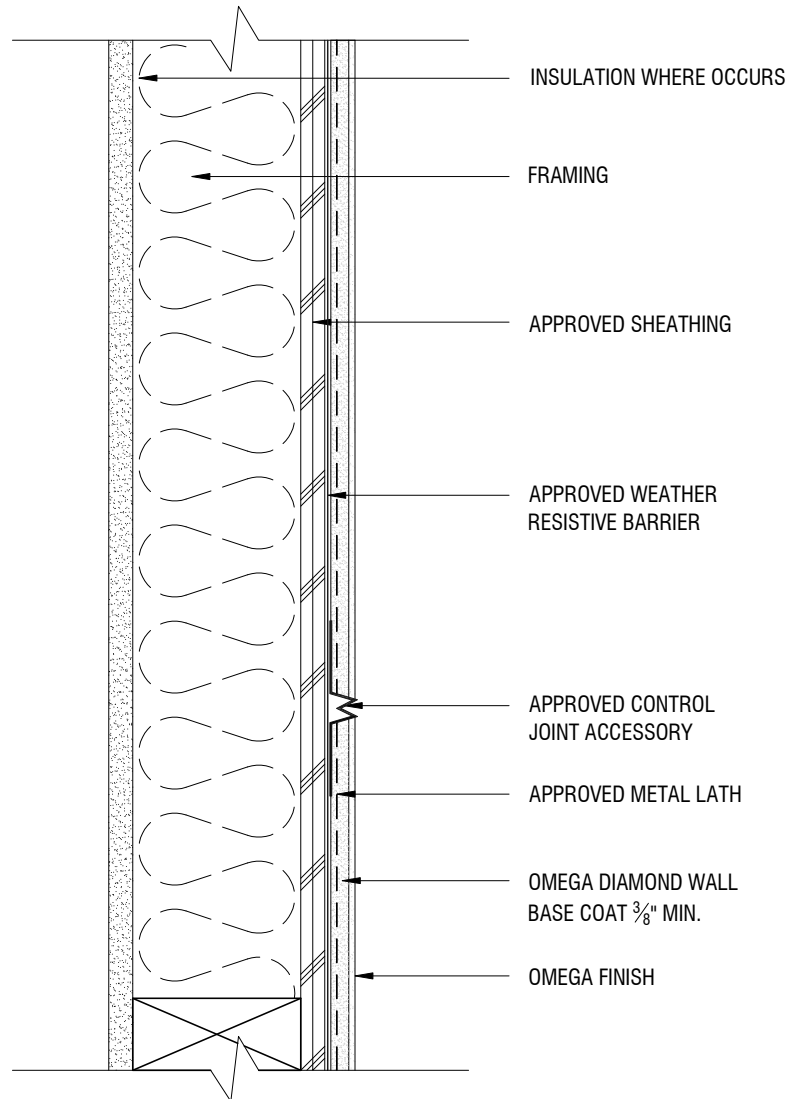
SCALE: 3"=1'-0"

DRAWING NO.: DWS 03.00

DRAWN: JUNE 2011

NOTES

1. RESTRICT USE OF THIS DETAIL TO AREA WHERE MINIMAL MOVEMENT IS ANTICIPATED
2. IF MOVEMENT IS ANTICIPATED REFER TO OMEGA DWIS 05.00.
3. AESTHETIC JOINTS MAY BE INSTALLED OVER METAL LATH AND WIRE TIED.



THE ARCHITECTURE, ENGINEERING, AND DESIGN OF THE PROJECT USING OMEGA PRODUCTS IS THE RESPONSIBILITY OF THE PROJECT'S DESIGN PROFESSIONAL. ALL SYSTEMS MUST COMPLY WITH LOCAL BUILDING CODES AND STANDARDS. THIS DETAIL IS FOR GENERAL INFORMATION AND GUIDANCE ONLY, AND OMEGA INC. SPECIFICALLY DISCLAIMS ANY LIABILITY FOR THE USE OF THIS DETAIL AND FOR THE ARCHITECTURE, DESIGN, ENGINEERING, OR WORKMANSHIP OF ANY PROJECT. THE PROJECT DESIGN PROFESSIONAL DETERMINES, IN ITS SOLE DISCRETION, WHETHER THIS DETAIL OR A FUNCTIONALLY EQUIVALENT ALTERNATIVE IS BEST SUITED FOR THE THE PROJECT. USE OF A FUNCTIONALLY EQUIVALENT DETAIL DOES NOT VIOLATE OMEGA'S WARRANTY. THIS DETAIL IS SUBJECT TO CHANGE WITHOUT NOTICE. CONTACT OMEGA TO INSURE YOU HAVE THE MOST RECENT VERSION.



CORPORATE OFFICE
 1681 CALIFORNIA AVE., CORONA, CA 92881
 E-MAIL: INFO@OMEGA-PRODUCTS.COM
 WEBSITE: WWW.OMEGA-PRODUCTS.COM

DIAMOND WALL ONE-COAT SYSTEM DETAILS

HORIZONTAL \ VERTICAL
 TYPICAL CONTROL JOINT

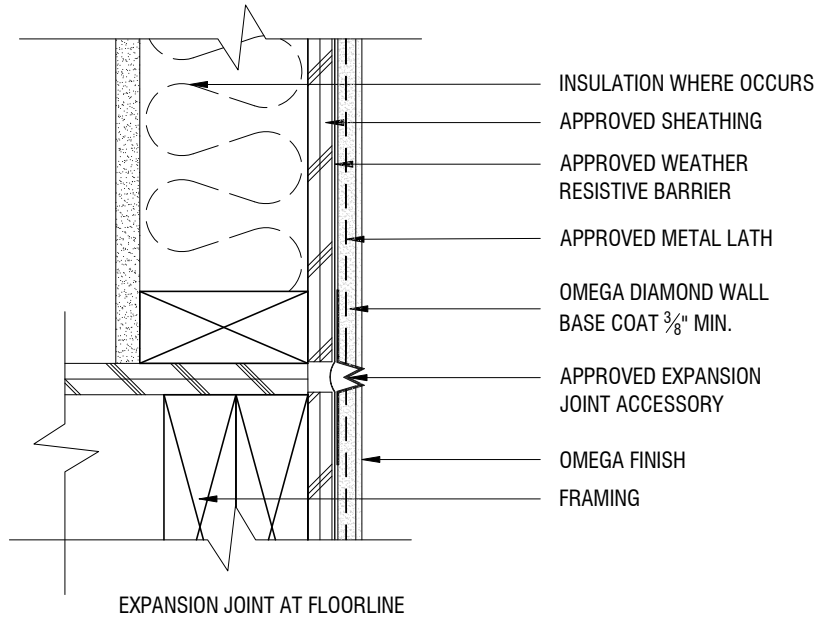
SCALE: 3"=1'-0"

DRAWING NO.: DWS 04.00

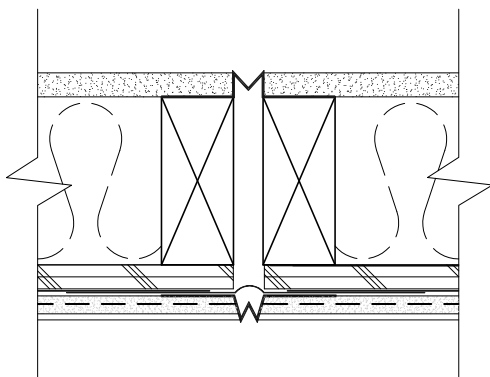
DRAWN: JUNE 2011

NOTES

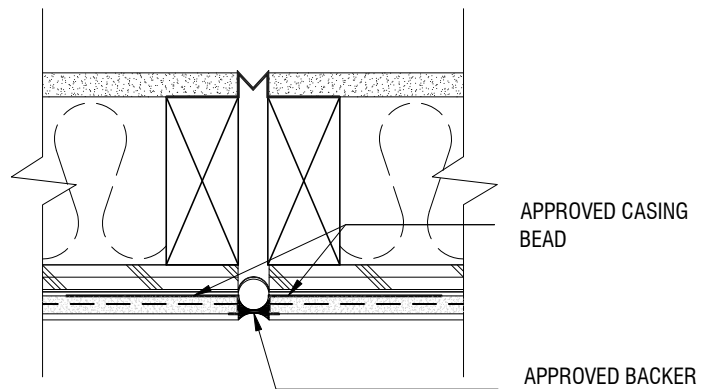
1. AN OPTIONAL FLASHING MEMBRANE MAY BE USED BEHIND THE EXPANSION JOINT.



- INSULATION WHERE OCCURS
- APPROVED SHEATHING
- APPROVED WEATHER RESISTIVE BARRIER
- APPROVED METAL LATH
- OMEGA DIAMOND WALL BASE COAT $\frac{3}{8}$ " MIN.
- APPROVED EXPANSION JOINT ACCESSORY
- OMEGA FINISH FRAMING



VERTICAL EXPANSION JOINT WITH APPROVED EXPANSION JOINT ACCESSORY



VERTICAL EXPANSION JOINT WITH BACKER ROD AND SEALANT

- APPROVED CASING BEAD
- APPROVED BACKER ROD AND SEALANT

THE ARCHITECTURE, ENGINEERING, AND DESIGN OF THE PROJECT USING OMEGA PRODUCTS IS THE RESPONSIBILITY OF THE PROJECT'S DESIGN PROFESSIONAL. ALL SYSTEMS MUST COMPLY WITH LOCAL BUILDING CODES AND STANDARDS. THIS DETAIL IS FOR GENERAL INFORMATION AND GUIDANCE ONLY, AND OMEGA INC. SPECIFICALLY DISCLAIMS ANY LIABILITY FOR THE USE OF THIS DETAIL AND FOR THE ARCHITECTURE, DESIGN, ENGINEERING, OR WORKMANSHIP OF ANY PROJECT. THE PROJECT DESIGN PROFESSIONAL DETERMINES, IN ITS SOLE DISCRETION, WHETHER THIS DETAIL OR A FUNCTIONALLY EQUIVALENT ALTERNATIVE IS BEST SUITED FOR THE THE PROJECT. USE OF A FUNCTIONALLY EQUIVALENT DETAIL DOES NOT VIOLATE OMEGA'S WARRANTY. THIS DETAIL IS SUBJECT TO CHANGE WITHOUT NOTICE. CONTACT OMEGA TO INSURE YOU HAVE THE MOST RECENT VERSION.



CORPORATE OFFICE
1681 CALIFORNIA AVE., CORONA, CA 92881
E-MAIL: INFO@OMEGA-PRODUCTS.COM
WEBSITE: WWW.OMEGA-PRODUCTS.COM

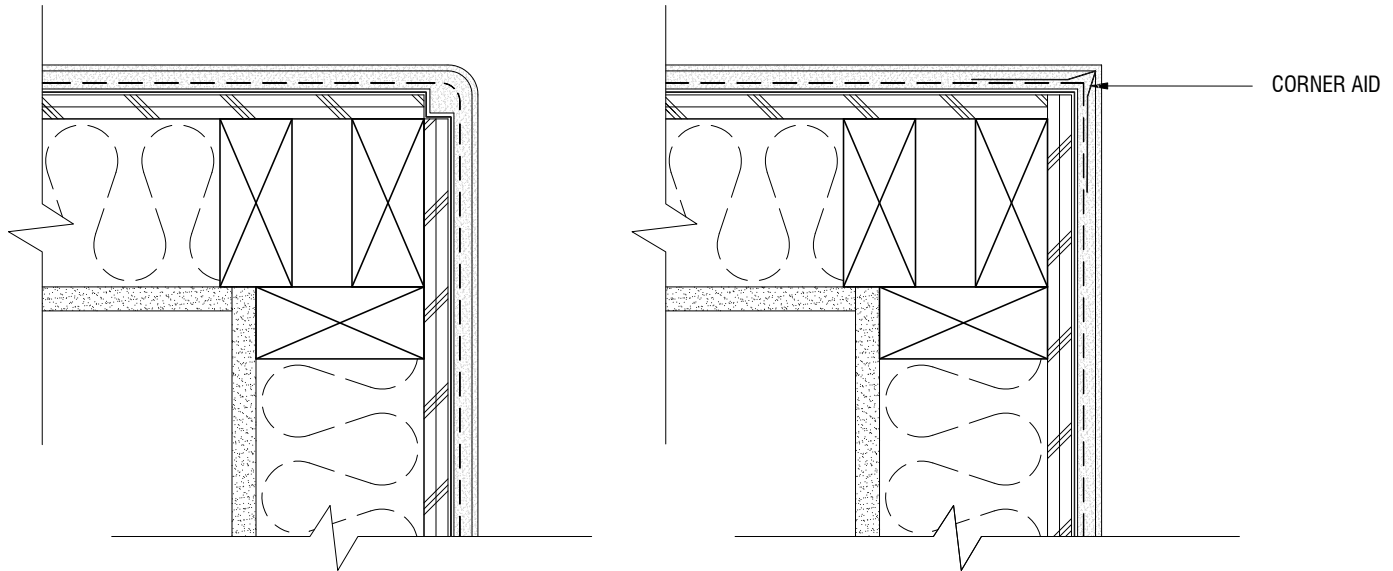
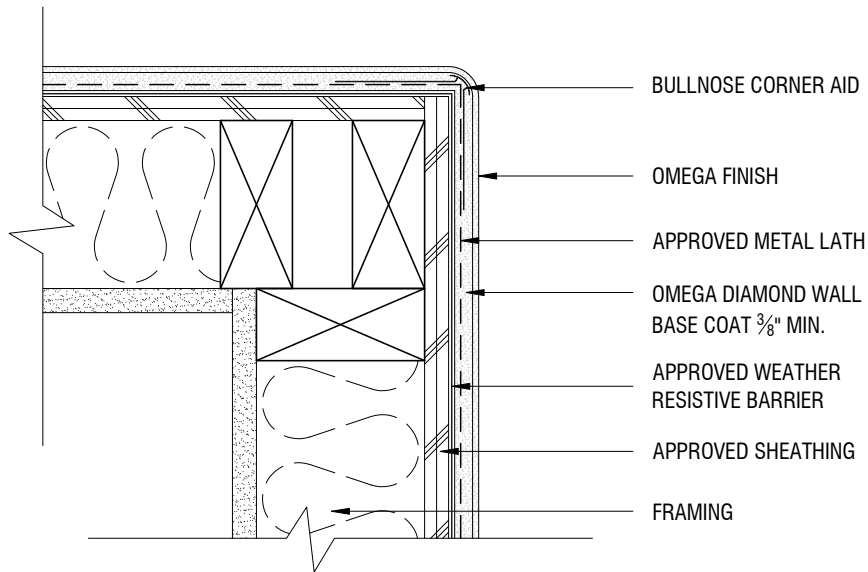
DIAMOND WALL ONE-COAT SYSTEM DETAILS

TYPICAL EXPANSION JOINTS

SCALE: 3" = 1'-0"

DRAWING NO.: DWS 05.00

DRAWN: JUNE 2011



THE ARCHITECTURE, ENGINEERING, AND DESIGN OF THE PROJECT USING OMEGA PRODUCTS IS THE RESPONSIBILITY OF THE PROJECT'S DESIGN PROFESSIONAL. ALL SYSTEMS MUST COMPLY WITH LOCAL BUILDING CODES AND STANDARDS. THIS DETAIL IS FOR GENERAL INFORMATION AND GUIDANCE ONLY, AND OMEGA INC. SPECIFICALLY DISCLAIMS ANY LIABILITY FOR THE USE OF THIS DETAIL AND FOR THE ARCHITECTURE, DESIGN, ENGINEERING, OR WORKMANSHIP OF ANY PROJECT. THE PROJECT DESIGN PROFESSIONAL DETERMINES, IN ITS SOLE DISCRETION, WHETHER THIS DETAIL OR A FUNCTIONALLY EQUIVALENT ALTERNATIVE IS BEST SUITED FOR THE THE PROJECT. USE OF A FUNCTIONALLY EQUIVALENT DETAIL DOES NOT VIOLATE OMEGA'S WARRANTY. THIS DETAIL IS SUBJECT TO CHANGE WITHOUT NOTICE. CONTACT OMEGA TO INSURE YOU HAVE THE MOST RECENT VERSION.



CORPORATE OFFICE
 1681 CALIFORNIA AVE., CORONA, CA 92881
 E-MAIL: INFO@OMEGA-PRODUCTS.COM
 WEBSITE: WWW.OMEGA-PRODUCTS.COM

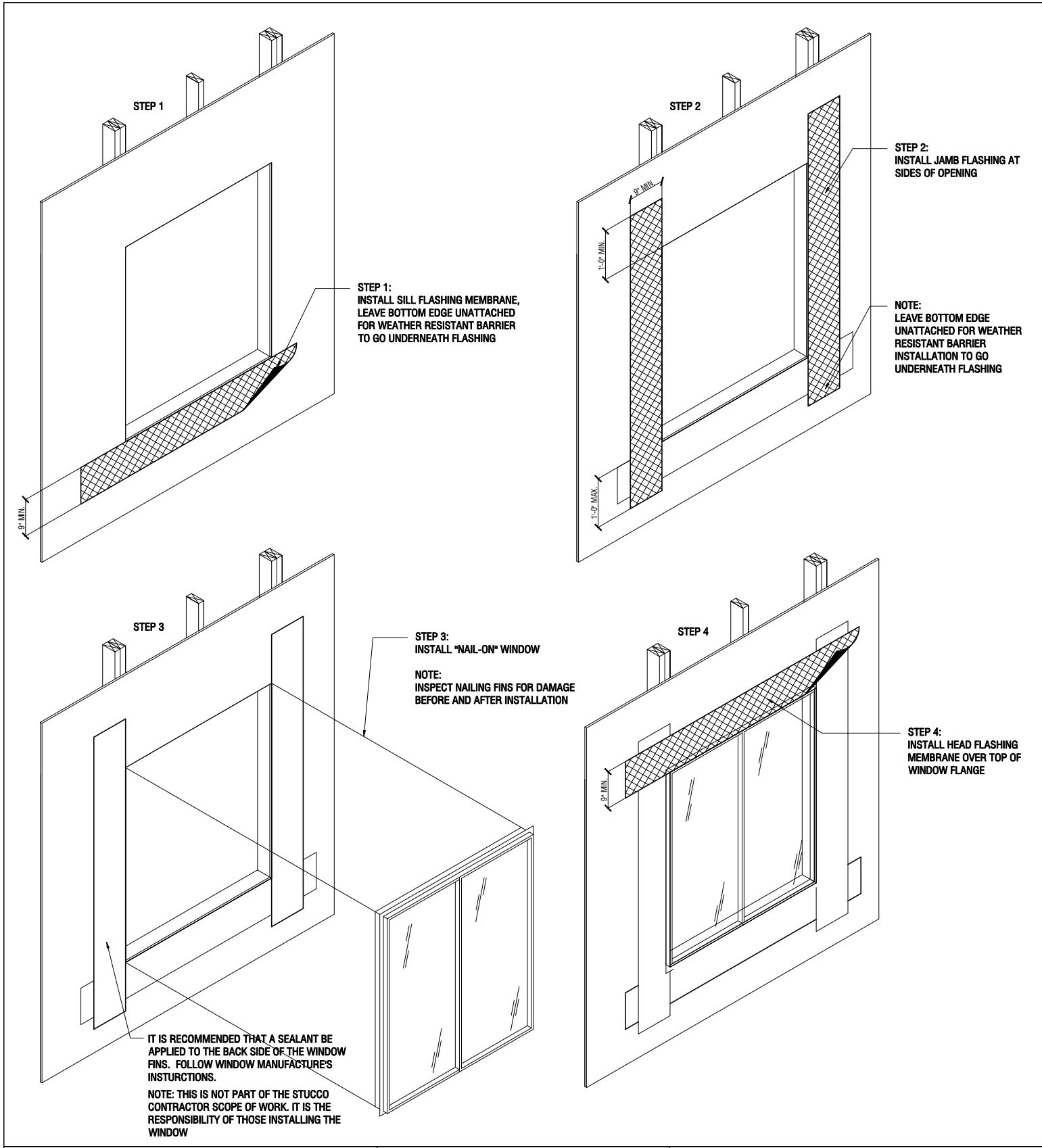
DIAMOND WALL ONE-COAT SYSTEM DETAILS

TYPICAL CORNER DETAILS

SCALE: 3"=1'-0"

DRAWING NO.: DWS 06.00

DRAWN: JUNE 2011



THE ARCHITECTURE, ENGINEERING, AND DESIGN OF THE PROJECT USING OMEGA PRODUCTS IS THE RESPONSIBILITY OF THE PROJECT'S DESIGN PROFESSIONAL. ALL SYSTEMS MUST COMPLY WITH LOCAL BUILDING CODES AND STANDARDS. THIS DETAIL IS FOR GENERAL INFORMATION AND GUIDANCE ONLY, AND OMEGA INC. SPECIFICALLY DISCLAIMS ANY LIABILITY FOR THE USE OF THIS DETAIL AND FOR THE ARCHITECTURE, DESIGN, ENGINEERING, OR WORKMANSHIP OF ANY PROJECT. THE PROJECT DESIGN PROFESSIONAL DETERMINES, IN ITS SOLE DISCRETION, WHETHER THIS DETAIL OR A FUNCTIONALLY EQUIVALENT ALTERNATIVE IS BEST SUITED FOR THE THE PROJECT. USE OF A FUNCTIONALLY EQUIVALENT DETAIL DOES NOT VIOLATE OMEGA'S WARRANTY. THIS DETAIL IS SUBJECT TO CHANGE WITHOUT NOTICE. CONTACT OMEGA TO INSURE YOU HAVE THE MOST RECENT VERSION.



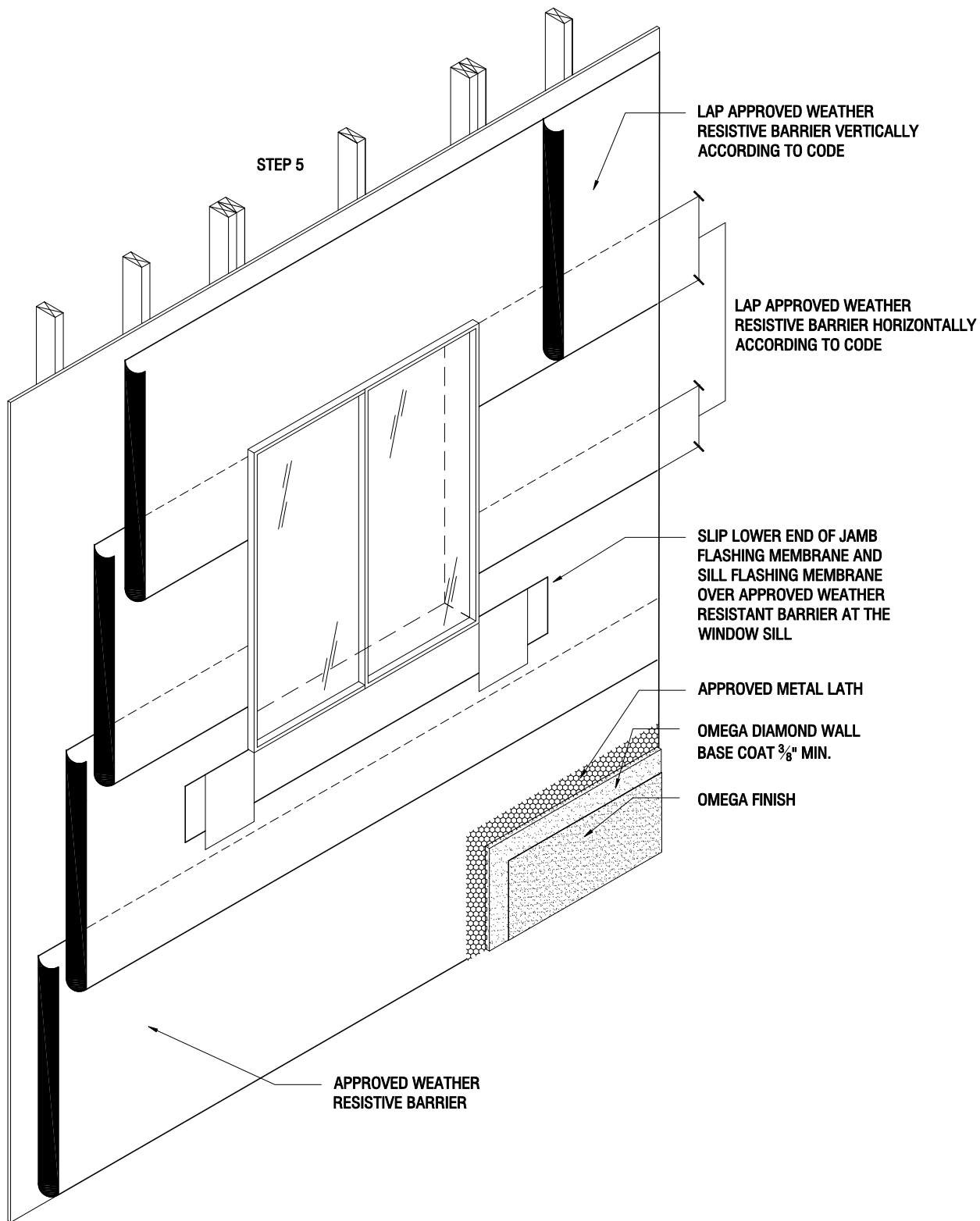
OMEGA
PRODUCTS INTERNATIONAL

CORPORATE OFFICE
1681 CALIFORNIA AVE., CORONA, CA 92881
E-MAIL: INFO@OMEGA-PRODUCTS.COM
WEBSITE: WWW.OMEGA-PRODUCTS.COM

**DIAMOND WALL ONE-COAT
SYSTEM DETAILS**

**FLASHING MEMBRANE AND WEATHER
RESISTIVE BARRIER APPLICATIONS
SEQUENCE**

SCALE: 3"=1'-0" DRAWING NO.: DWS 07.00 DRAWN: JUNE 2011



THE ARCHITECTURE, ENGINEERING, AND DESIGN OF THE PROJECT USING OMEGA PRODUCTS IS THE RESPONSIBILITY OF THE PROJECT'S DESIGN PROFESSIONAL. ALL SYSTEMS MUST COMPLY WITH LOCAL BUILDING CODES AND STANDARDS. THIS DETAIL IS FOR GENERAL INFORMATION AND GUIDANCE ONLY, AND OMEGA INC. SPECIFICALLY DISCLAIMS ANY LIABILITY FOR THE USE OF THIS DETAIL AND FOR THE ARCHITECTURE, DESIGN, ENGINEERING, OR WORKMANSHIP OF ANY PROJECT. THE PROJECT DESIGN PROFESSIONAL DETERMINES, IN ITS SOLE DISCRETION, WHETHER THIS DETAIL OR A FUNCTIONALLY EQUIVALENT ALTERNATIVE IS BEST SUITED FOR THE THE PROJECT. USE OF A FUNCTIONALLY EQUIVALENT DETAIL DOES NOT VIOLATE OMEGA'S WARRANTY. THIS DETAIL IS SUBJECT TO CHANGE WITHOUT NOTICE. CONTACT OMEGA TO INSURE YOU HAVE THE MOST RECENT VERSION.

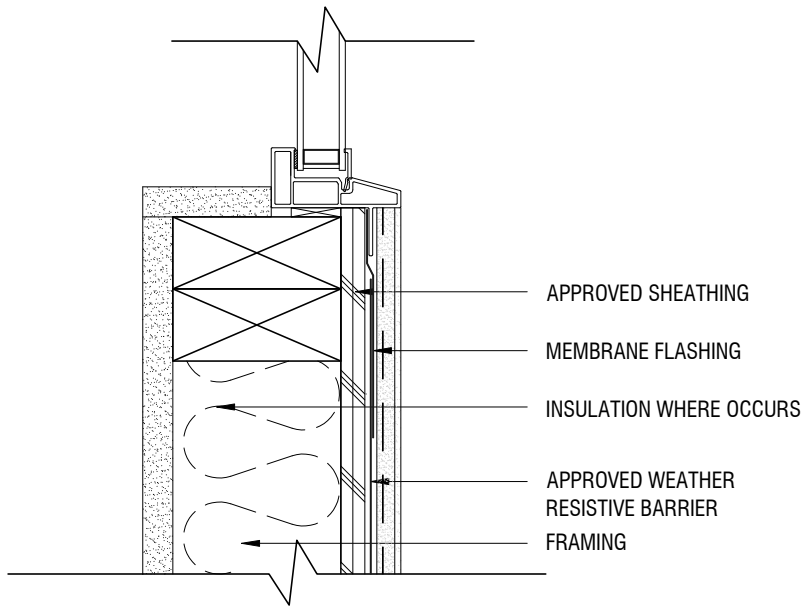
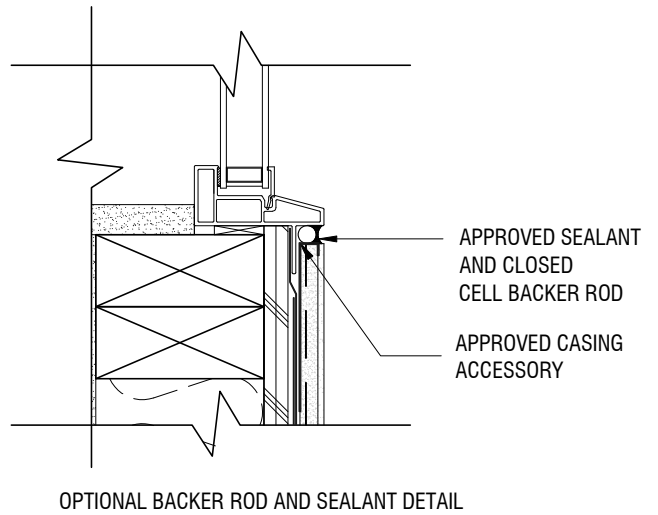
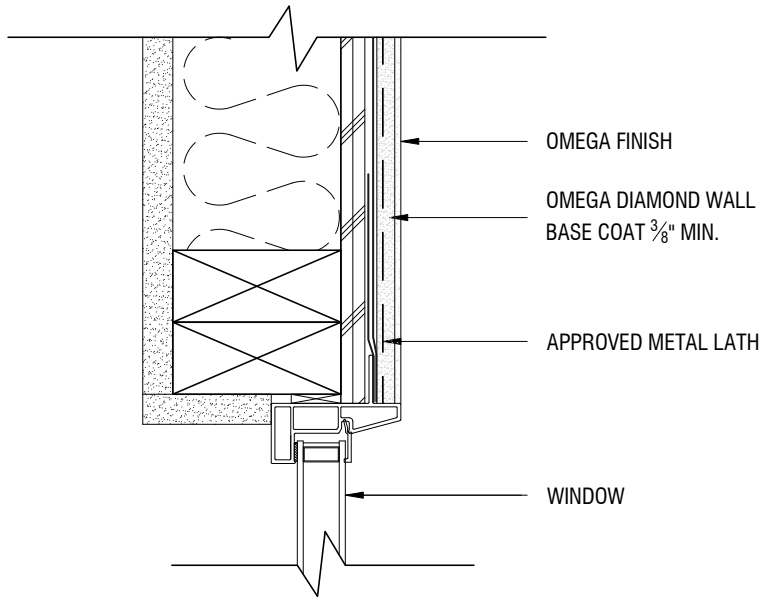


CORPORATE OFFICE
 1681 CALIFORNIA AVE., CORONA, CA 92881
 E-MAIL: INFO@OMEGA-PRODUCTS.COM
 WEBSITE: WWW.OMEGA-PRODUCTS.COM

DIAMOND WALL ONE-COAT SYSTEM DETAILS

FLASHING MEMBRANE AND WEATHER RESISTIVE BARRIER APPLICATIONS SEQUENCE

SCALE: 1/12" = 1'-0" DRAWING NO.: DWS 08.00 DRAWN: JUNE 2011



THE ARCHITECTURE, ENGINEERING, AND DESIGN OF THE PROJECT USING OMEGA PRODUCTS IS THE RESPONSIBILITY OF THE PROJECT'S DESIGN PROFESSIONAL. ALL SYSTEMS MUST COMPLY WITH LOCAL BUILDING CODES AND STANDARDS. THIS DETAIL IS FOR GENERAL INFORMATION AND GUIDANCE ONLY, AND OMEGA INC. SPECIFICALLY DISCLAIMS ANY LIABILITY FOR THE USE OF THIS DETAIL AND FOR THE ARCHITECTURE, DESIGN, ENGINEERING, OR WORKMANSHIP OF ANY PROJECT. THE PROJECT DESIGN PROFESSIONAL DETERMINES, IN ITS SOLE DISCRETION, WHETHER THIS DETAIL OR A FUNCTIONALLY EQUIVALENT ALTERNATIVE IS BEST SUITED FOR THE THE PROJECT. USE OF A FUNCTIONALLY EQUIVALENT DETAIL DOES NOT VIOLATE OMEGA'S WARRANTY. THIS DETAIL IS SUBJECT TO CHANGE WITHOUT NOTICE. CONTACT OMEGA TO INSURE YOU HAVE THE MOST RECENT VERSION.



CORPORATE OFFICE
 1681 CALIFORNIA AVE., CORONA, CA 92881
 E-MAIL: INFO@OMEGA-PRODUCTS.COM
 WEBSITE: WWW.OMEGA-PRODUCTS.COM

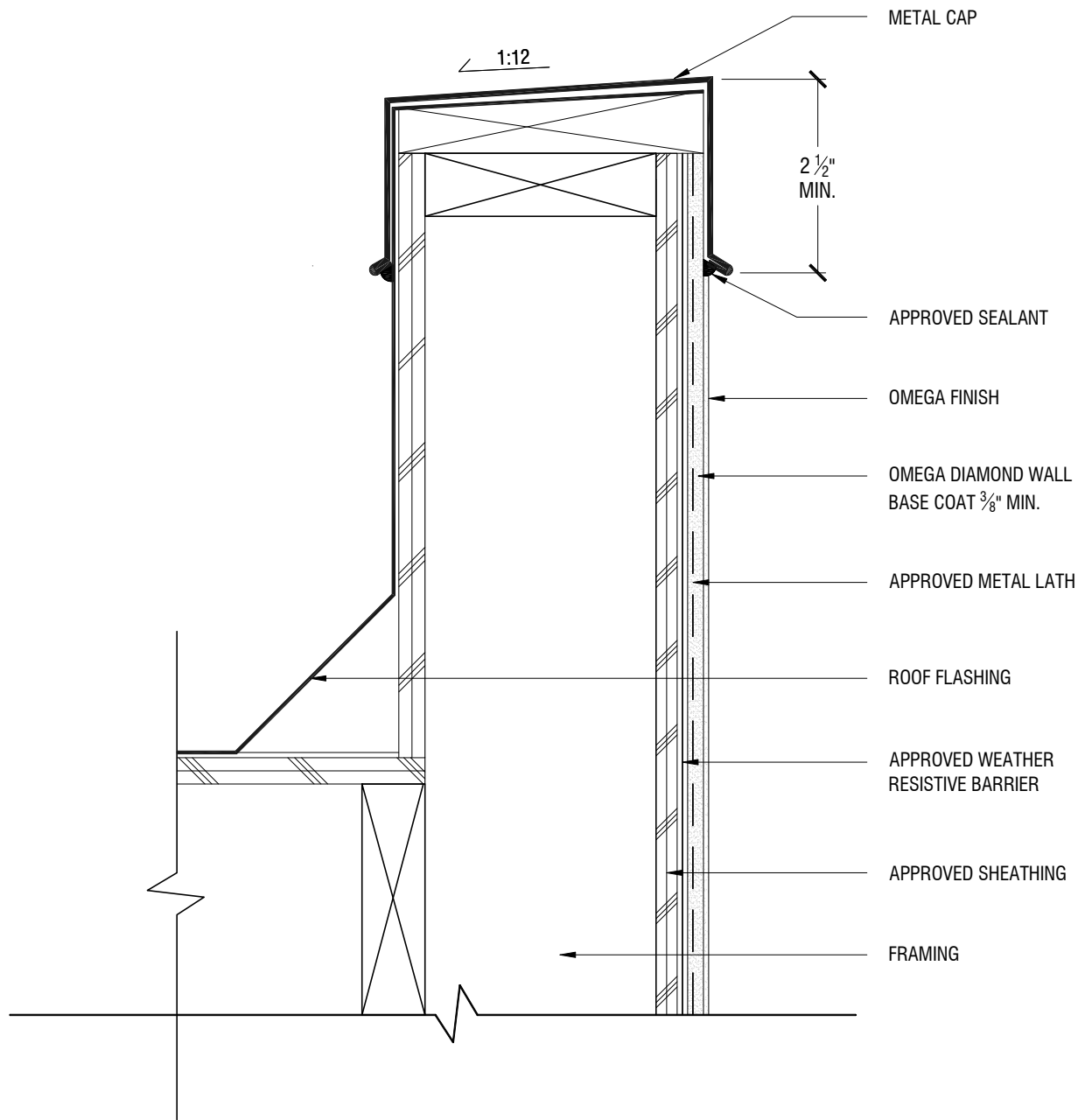
DIAMOND WALL ONE-COAT SYSTEM DETAILS

TYPICAL TERMINATION AT WINDOW HEAD AND SILL

SCALE: 3"=1'-0"

DRAWING NO.: DWS 09.00

DRAWN: JUNE 2011



METAL CAP

1:12

2 1/2"
MIN.

APPROVED SEALANT

OMEGA FINISH

OMEGA DIAMOND WALL
BASE COAT 3/8" MIN.

APPROVED METAL LATH

ROOF FLASHING

APPROVED WEATHER
RESISTIVE BARRIER

APPROVED SHEATHING

FRAMING

THE ARCHITECTURE, ENGINEERING, AND DESIGN OF THE PROJECT USING OMEGA PRODUCTS IS THE RESPONSIBILITY OF THE PROJECT'S DESIGN PROFESSIONAL. ALL SYSTEMS MUST COMPLY WITH LOCAL BUILDING CODES AND STANDARDS. THIS DETAIL IS FOR GENERAL INFORMATION AND GUIDANCE ONLY, AND OMEGA INC. SPECIFICALLY DISCLAIMS ANY LIABILITY FOR THE USE OF THIS DETAIL AND FOR THE ARCHITECTURE, DESIGN, ENGINEERING, OR WORKMANSHIP OF ANY PROJECT. THE PROJECT DESIGN PROFESSIONAL DETERMINES, IN ITS SOLE DISCRETION, WHETHER THIS DETAIL OR A FUNCTIONALLY EQUIVALENT ALTERNATIVE IS BEST SUITED FOR THE THE PROJECT. USE OF A FUNCTIONALLY EQUIVALENT DETAIL DOES NOT VIOLATE OMEGA'S WARRANTY. THIS DETAIL IS SUBJECT TO CHANGE WITHOUT NOTICE. CONTACT OMEGA TO INSURE YOU HAVE THE MOST RECENT VERSION.



CORPORATE OFFICE
1681 CALIFORNIA AVE., CORONA, CA 92881
E-MAIL: INFO@OMEGA-PRODUCTS.COM
WEBSITE: WWW.OMEGA-PRODUCTS.COM

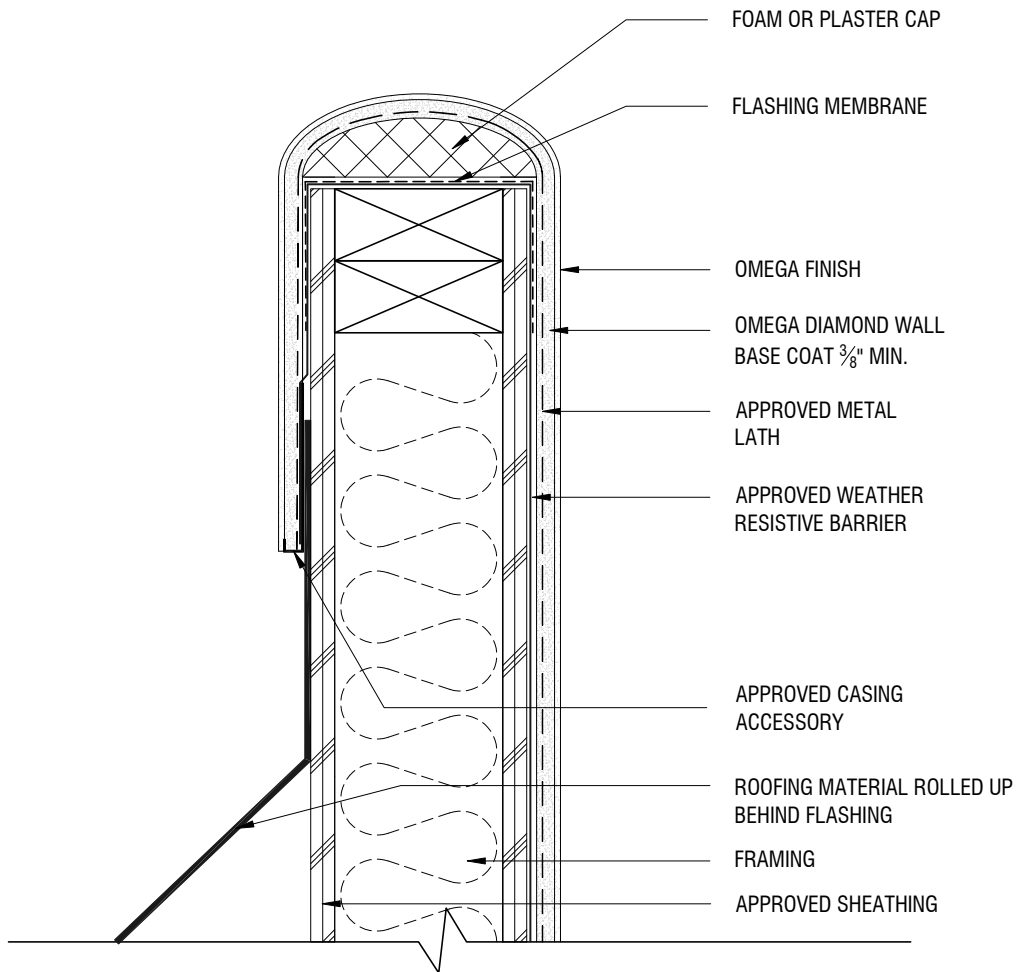
DIAMOND WALL ONE-COAT SYSTEM DETAILS

TYPICAL PARAPET WITH METAL CAP

SCALE: 3"=1'-0"

DRAWING NO.: DWS 10.00

DRAWN: JUNE 2011



THE ARCHITECTURE, ENGINEERING, AND DESIGN OF THE PROJECT USING OMEGA PRODUCTS IS THE RESPONSIBILITY OF THE PROJECT'S DESIGN PROFESSIONAL. ALL SYSTEMS MUST COMPLY WITH LOCAL BUILDING CODES AND STANDARDS. THIS DETAIL IS FOR GENERAL INFORMATION AND GUIDANCE ONLY, AND OMEGA INC. SPECIFICALLY DISCLAIMS ANY LIABILITY FOR THE USE OF THIS DETAIL AND FOR THE ARCHITECTURE, DESIGN, ENGINEERING, OR WORKMANSHIP OF ANY PROJECT. THE PROJECT DESIGN PROFESSIONAL DETERMINES, IN ITS SOLE DISCRETION, WHETHER THIS DETAIL OR A FUNCTIONALLY EQUIVALENT ALTERNATIVE IS BEST SUITED FOR THE THE PROJECT. USE OF A FUNCTIONALLY EQUIVALENT DETAIL DOES NOT VIOLATE OMEGA'S WARRANTY. THIS DETAIL IS SUBJECT TO CHANGE WITHOUT NOTICE. CONTACT OMEGA TO INSURE YOU HAVE THE MOST RECENT VERSION.



CORPORATE OFFICE
 1681 CALIFORNIA AVE., CORONA, CA 92881
 E-MAIL: INFO@OMEGA-PRODUCTS.COM
 WEBSITE: WWW.OMEGA-PRODUCTS.COM

DIAMOND WALL ONE-COAT SYSTEM DETAILS

TYPICAL PARAPET

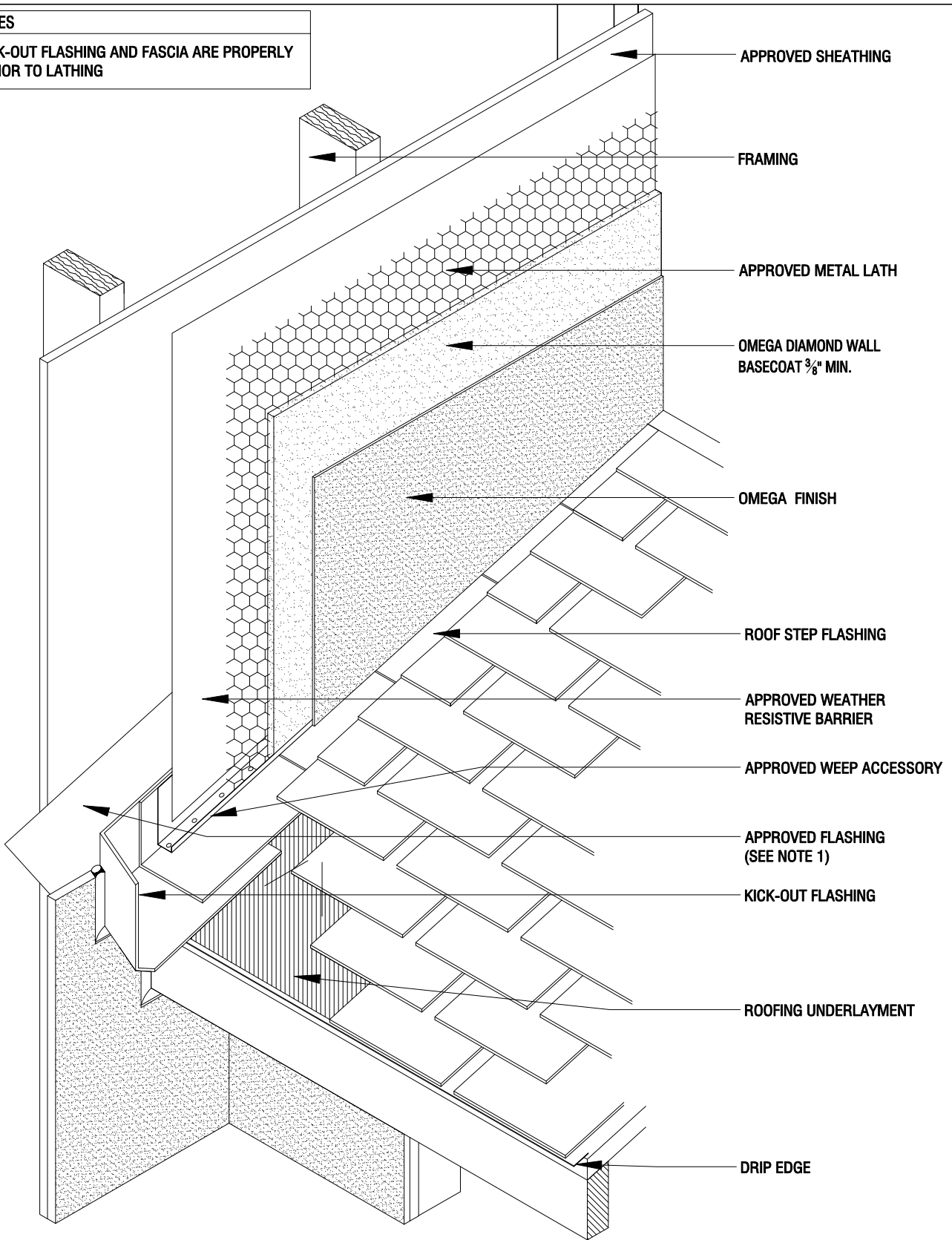
SCALE: 3"=1'-0"

DRAWING NO.: DWS 11.00

DRAWN: JUNE 2011

NOTES

1. ENSURE KICK-OUT FLASHING AND FASCIA ARE PROPERLY FLASHED PRIOR TO LATHING



THE ARCHITECTURE, ENGINEERING, AND DESIGN OF THE PROJECT USING OMEGA PRODUCTS IS THE RESPONSIBILITY OF THE PROJECT'S DESIGN PROFESSIONAL. ALL SYSTEMS MUST COMPLY WITH LOCAL BUILDING CODES AND STANDARDS. THIS DETAIL IS FOR GENERAL INFORMATION AND GUIDANCE ONLY, AND OMEGA INC. SPECIFICALLY DISCLAIMS ANY LIABILITY FOR THE USE OF THIS DETAIL AND FOR THE ARCHITECTURE, DESIGN, ENGINEERING, OR WORKMANSHIP OF ANY PROJECT. THE PROJECT DESIGN PROFESSIONAL DETERMINES, IN ITS SOLE DISCRETION, WHETHER THIS DETAIL OR A FUNCTIONALLY EQUIVALENT ALTERNATIVE IS BEST SUITED FOR THE THE PROJECT. USE OF A FUNCTIONALLY EQUIVALENT DETAIL DOES NOT VIOLATE OMEGA'S WARRANTY. THIS DETAIL IS SUBJECT TO CHANGE WITHOUT NOTICE. CONTACT OMEGA TO INSURE YOU HAVE THE MOST RECENT VERSION.



CORPORATE OFFICE
1681 CALIFORNIA AVE., CORONA, CA 92881
E-MAIL: INFO@OMEGA-PRODUCTS.COM
WEBSITE: WWW.OMEGA-PRODUCTS.COM

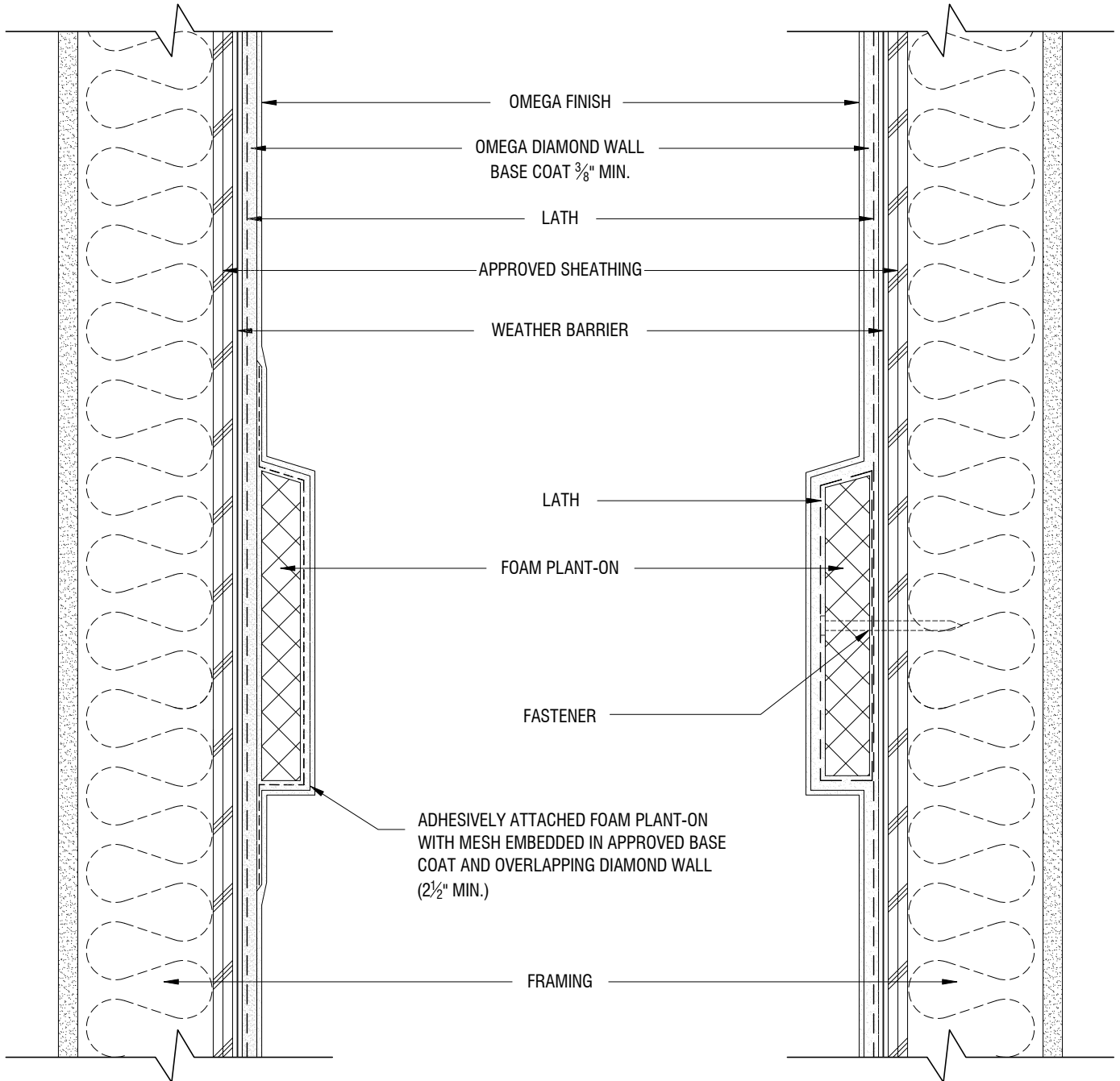
**DIAMOND WALL ONE-COAT
SYSTEM DETAILS**

**ROOF/WALL KICK-OUT FLASHING
DETAIL**

SCALE: 3"=1'-0"

DRAWING NO.: DWS 12.00

DRAWN: JUNE 2011



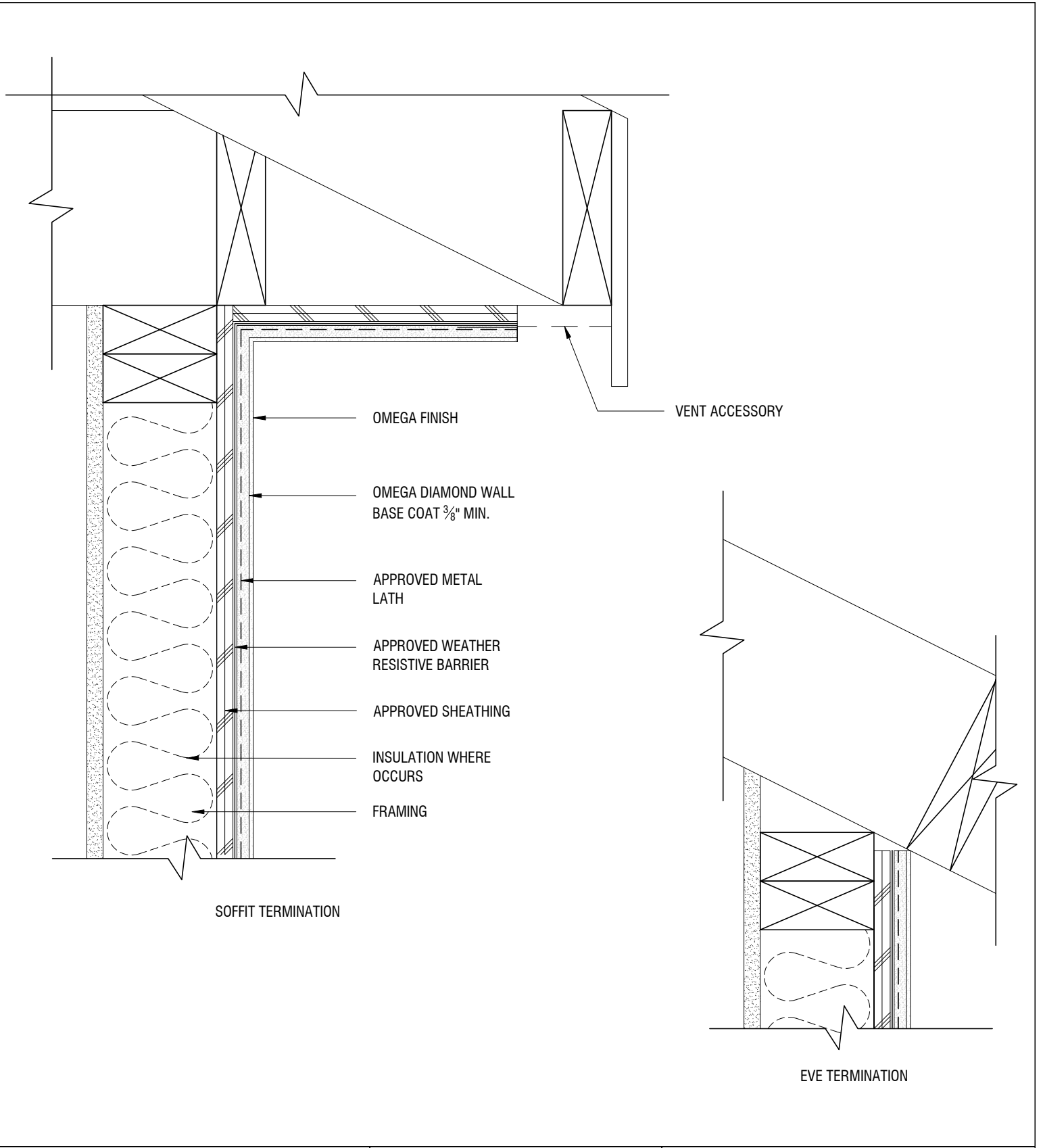
THE ARCHITECTURE, ENGINEERING, AND DESIGN OF THE PROJECT USING OMEGA PRODUCTS IS THE RESPONSIBILITY OF THE PROJECT'S DESIGN PROFESSIONAL. ALL SYSTEMS MUST COMPLY WITH LOCAL BUILDING CODES AND STANDARDS. THIS DETAIL IS FOR GENERAL INFORMATION AND GUIDANCE ONLY, AND OMEGA INC. SPECIFICALLY DISCLAIMS ANY LIABILITY FOR THE USE OF THIS DETAIL AND FOR THE ARCHITECTURE, DESIGN, ENGINEERING, OR WORKMANSHIP OF ANY PROJECT. THE PROJECT DESIGN PROFESSIONAL DETERMINES, IN ITS SOLE DISCRETION, WHETHER THIS DETAIL OR A FUNCTIONALLY EQUIVALENT ALTERNATIVE IS BEST SUITED FOR THE THE PROJECT. USE OF A FUNCTIONALLY EQUIVALENT DETAIL DOES NOT VIOLATE OMEGA'S WARRANTY. THIS DETAIL IS SUBJECT TO CHANGE WITHOUT NOTICE. CONTACT OMEGA TO INSURE YOU HAVE THE MOST RECENT VERSION.



CORPORATE OFFICE
 1681 CALIFORNIA AVE., CORONA, CA 92881
 E-MAIL: INFO@OMEGA-PRODUCTS.COM
 WEBSITE: WWW.OMEGA-PRODUCTS.COM

DIAMOND WALL ONE-COAT SYSTEM DETAILS

TYPICAL FOAM PLANT-ONS



THE ARCHITECTURE, ENGINEERING, AND DESIGN OF THE PROJECT USING OMEGA PRODUCTS IS THE RESPONSIBILITY OF THE PROJECT'S DESIGN PROFESSIONAL. ALL SYSTEMS MUST COMPLY WITH LOCAL BUILDING CODES AND STANDARDS. THIS DETAIL IS FOR GENERAL INFORMATION AND GUIDANCE ONLY, AND OMEGA INC. SPECIFICALLY DISCLAIMS ANY LIABILITY FOR THE USE OF THIS DETAIL AND FOR THE ARCHITECTURE, DESIGN, ENGINEERING, OR WORKMANSHIP OF ANY PROJECT. THE PROJECT DESIGN PROFESSIONAL DETERMINES, IN ITS SOLE DISCRETION, WHETHER THIS DETAIL OR A FUNCTIONALLY EQUIVALENT ALTERNATIVE IS BEST SUITED FOR THE THE PROJECT. USE OF A FUNCTIONALLY EQUIVALENT DETAIL DOES NOT VIOLATE OMEGA'S WARRANTY. THIS DETAIL IS SUBJECT TO CHANGE WITHOUT NOTICE. CONTACT OMEGA TO INSURE YOU HAVE THE MOST RECENT VERSION.



CORPORATE OFFICE
1681 CALIFORNIA AVE., CORONA, CA 92881
E-MAIL: INFO@OMEGA-PRODUCTS.COM
WEBSITE: WWW.OMEGA-PRODUCTS.COM

DIAMOND WALL ONE-COAT SYSTEM DETAILS

SOFFIT AND EVE TERMINATIONS

SCALE: 3"=1'-0"

DRAWING NO.: DWS 14.00

DRAWN: JUNE 2011